

1P CIRCULAR DISPOSABLE P/N DESCRIPTION :

1P X MA 0 X XX X 0 0 A 0

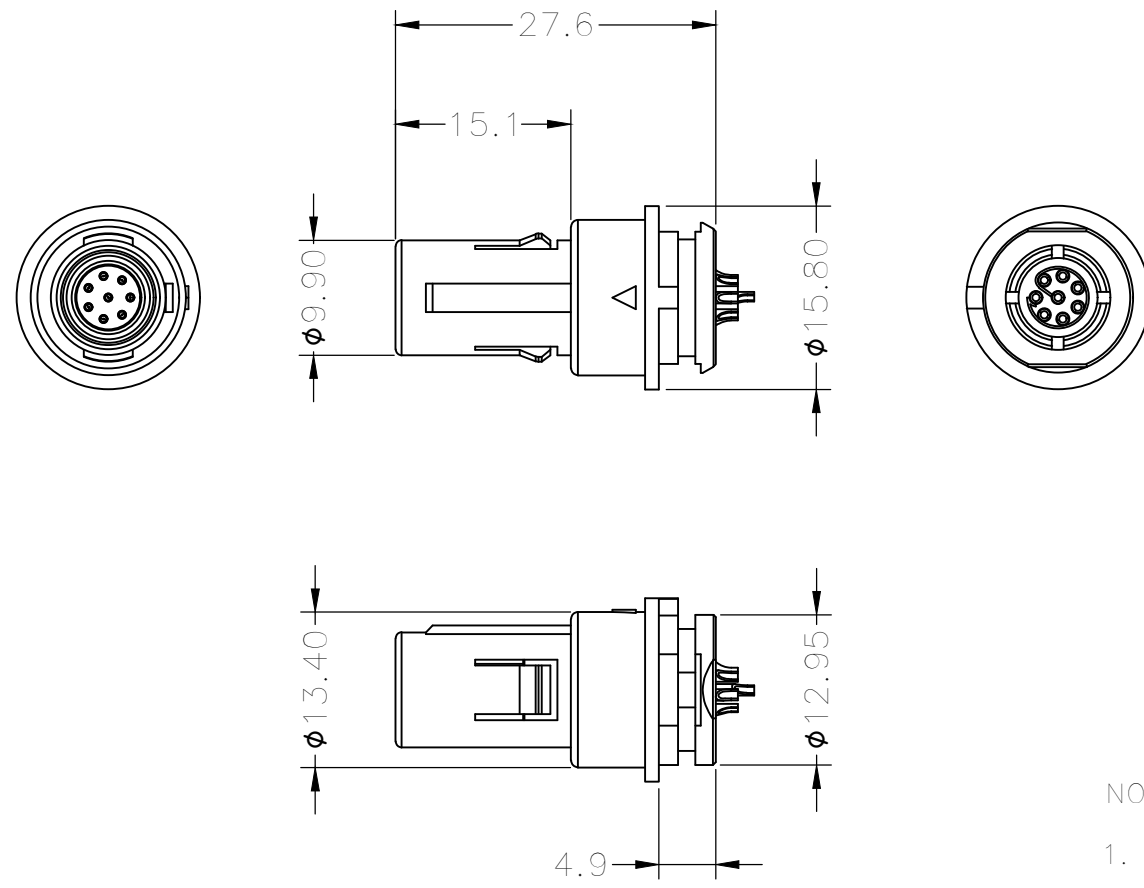
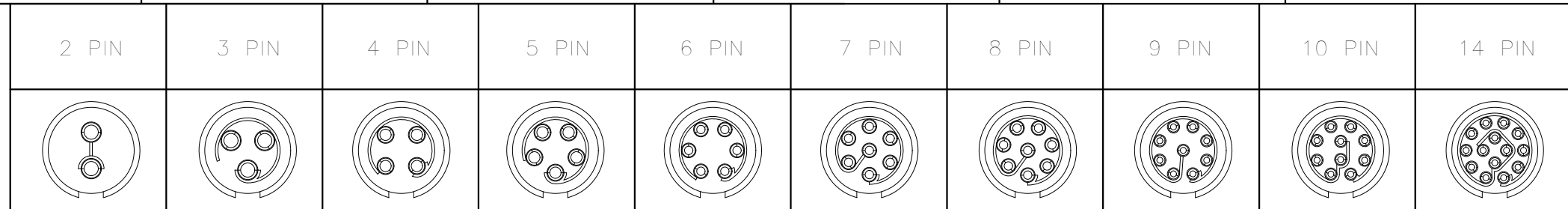
① ② ③ ④

- ① Type  
 A=Shell:PSU Grey  
 B=Shell:PSU Black  
 C=Shell:PEI Grey  
 D=Shell:PEI Black  
 1=Shell:ABS Grey  
 2=Shell:ABS Black

- ② Plating  
 2=High Gold  
 A=Gold flash

- ③ Number of contacts  
 02=2Pin  
 .....  
 14=14Pin

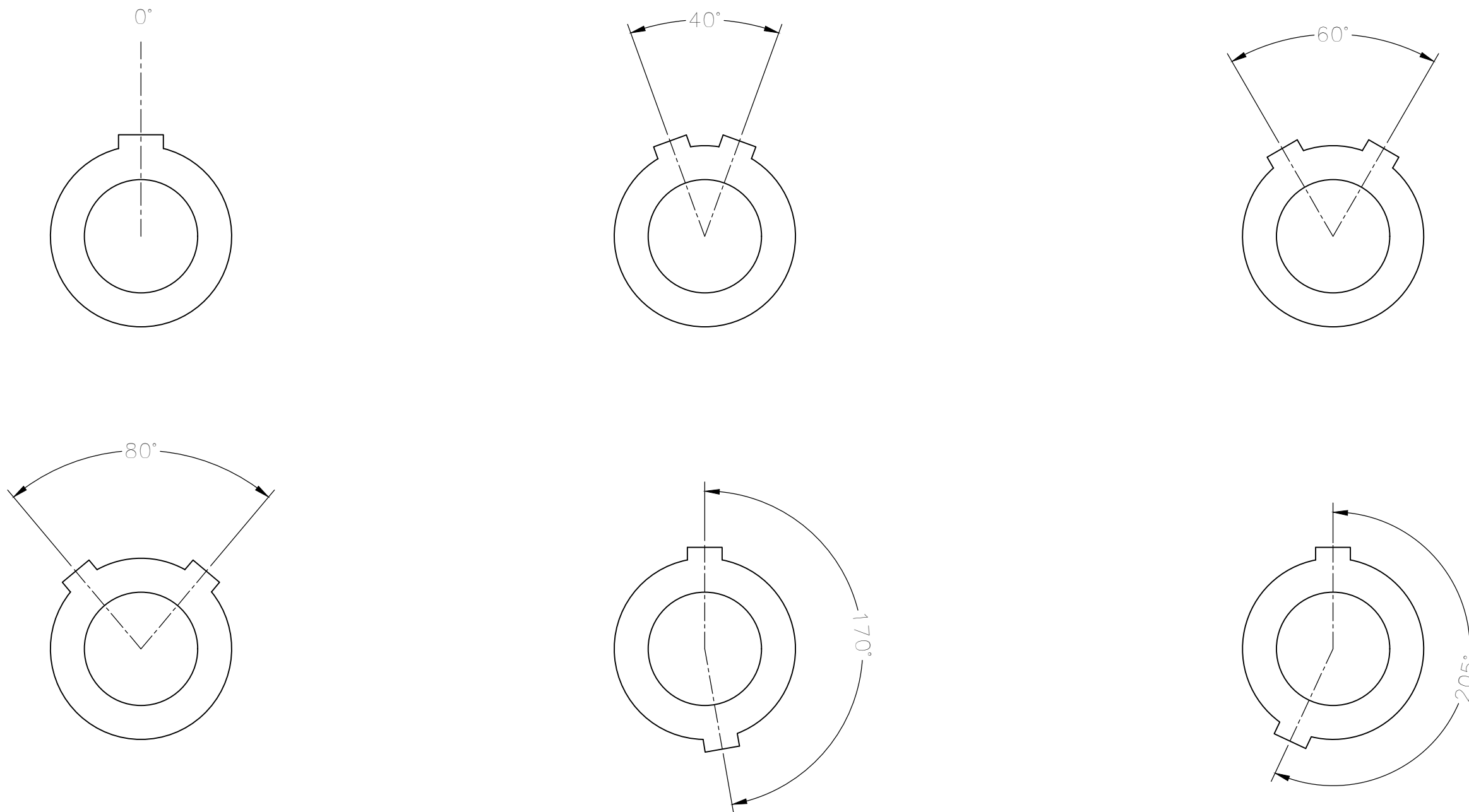
- ④ Keying  
 G= 0°  
 A= 40°  
 B= 60°  
 C= 80°  
 H= 170°  
 J= 205°


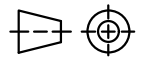


NOTE:  
 1. MATERIAL:  
 1.1.SHELL: THERMOPLASTIC,UL94V-0  
 1.2.CENTER CONTACT : COPPER ALLOY,Au PLATING  
 2.NUMBER OF CONTACT : 2 TO 14 POSITION  
 3.RoHS DIRECTIVE COMPLIANCE

THIRD ANGLE PROJECTION 		TOLERANCES UNLESS OTHERWISE SPECIFIED		 Dongguan Circon Technology Co.,Ltd.	
UNITS <input checked="" type="checkbox"/> mm <input type="checkbox"/> INCH		0 PLC ± 1.00 1 PLC ± 0.50 2 PLC ± 0.25 3 PLC ± 4 PLC ±			
ANGLES 0 PLC ± 3 1 PLC ± 2		APPROVED BY JACK DATE 2019-7-8 CHECKED BY CHARLES DATE 2019-7-8		TITLE: 1P CIRCULAR CONNECTOR DISPOSABLE PLUGS DRAWING NO. A-M-086 REV. A0 PART NO. 1PXMXXXXXXXAXX	
REV.	REVISION DESCRIPTION	ECR/ECN NO.	DATE	DRAWN BY ANDY	DATE 2019-7-8

KEYING (PLUG FRONT VIEW):



THIRD ANGLE PROJECTION		TOLERANCES UNLESS OTHERWISE SPECIFIED		 <b>Dongguan Circon Technology Co.,Ltd.</b>						
 UNITS <input checked="" type="checkbox"/> mm <input type="checkbox"/> INCH		0 PLC ± 1.00 1 PLC ± 0.50 2 PLC ± 0.25 3 PLC ± 4 PLC ±				TITLE: 1P CIRCULAR CONNECTOR DISPOSABLE PLUGS				
APPROVED BY	JACK	DATE	2019-7-8	C	DRAWING NO.	A-M-086	REV.	A0		
CHECKED BY	CHARLES	DATE	2019-7-8		PART NO.	1PXMAXXXXXXAXX				
REV.	REVISION DESCRIPTION	ECR/ECN NO.	DATE	DRAWN BY	ANDY	DATE	2019-7-8	SIZE: A3	SCALE: 1:1	SHEET: 2 OF 2