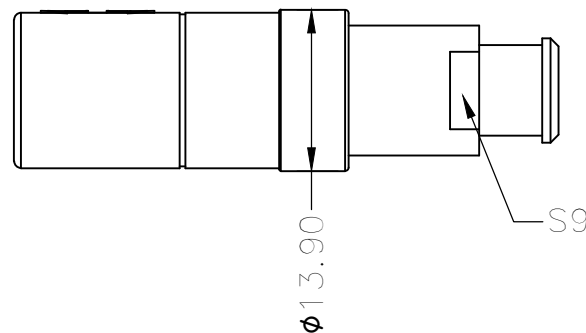
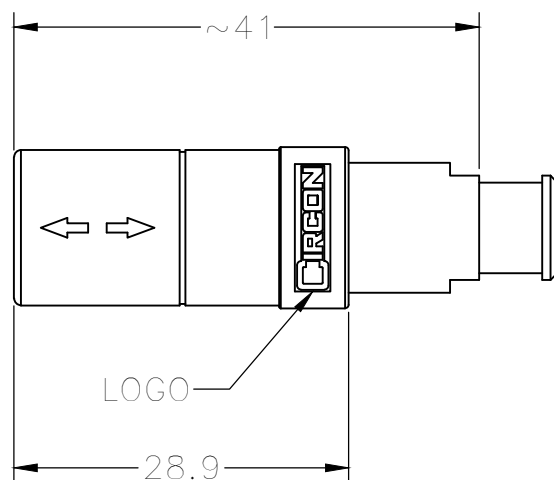
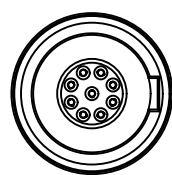
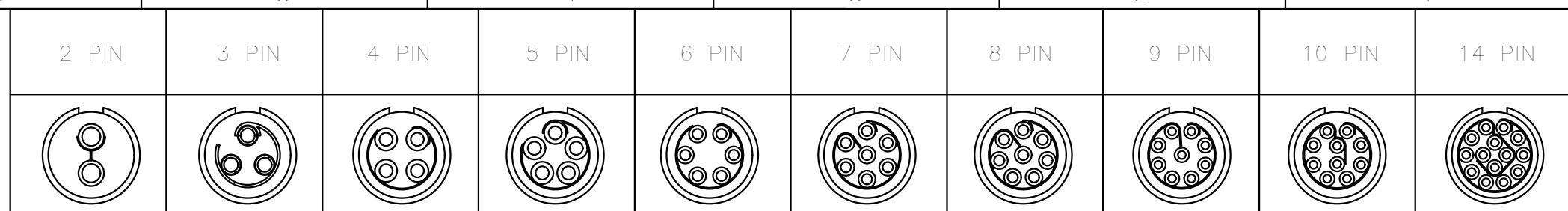


1P CIRCULAR ASSEMBLY P/N DESCRIPTION :

1P X S1 X X XX X X B X X
 ① ② ③ ④ ⑤ ⑥ ⑦ ⑧

- ① Type
 A=Shell:PSU Grey
 B=Shell:PSU Black
 C=Shell:PEI Grey
 D=Shell:PEI Black
 E=Shell:PPSU Grey
 F=Shell:PPSU Black
 1=Shell:ABS Grey
 2=Shell:ABS Black
- ② Insert
 P=PEEK
 S=PPS
- ③ Plating
 2=High Gold
 A=Gold flash
- ④ Number of contacts
 02=2Pin

 14=14Pin
- ⑤ Keying
 G= 0° (2-14Pin) H= 170° (8,10&14Pin)
 A= 40° (2-14Pin) J= 205° (8,10&14Pin)
 B= 60° (2-14Pin)
 C= 80° (2-14Pin)
- ⑥ Cable collet
 3=φ3.9mm (Cableφ=2.7~3.9mm)
 5=φ5.2mm (Cableφ=4.0~5.2mm)
 6=φ6.5mm (Cableφ=5.3~6.5mm)
- ⑦ Nut Colour
 8=Grey (Keep in line with shell)
 0=Black (Keep in line with shell)
- ⑧ Logo
 0= No Logo A= No Logo&With Ink mark
 1= With Logo B=With Logo&With Ink mark



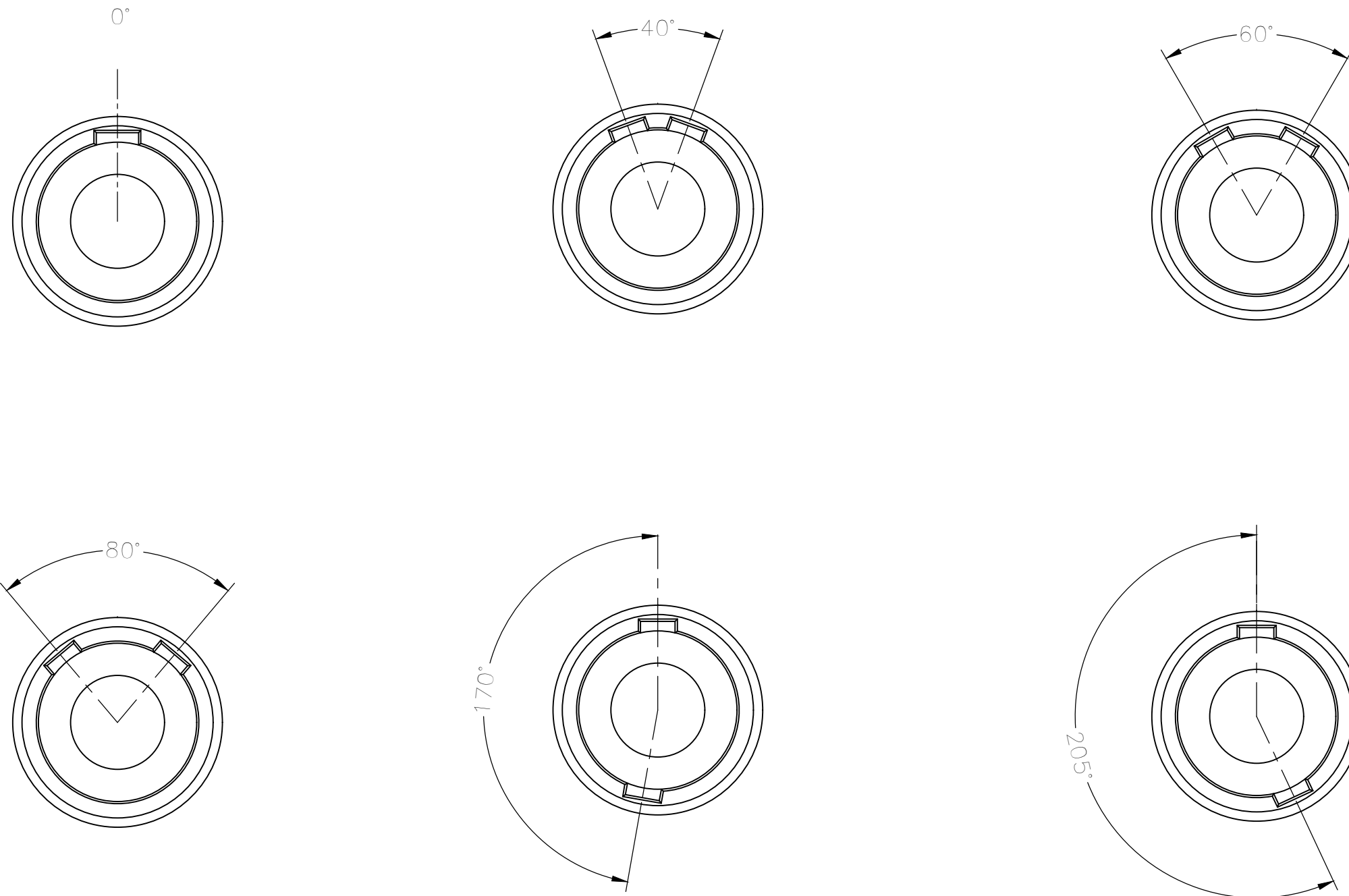
NOTE:


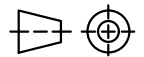
- 1. MATERIAL:
 - 1.1.SHELL: THERMOPLASTIC,UL94V-0
 - 1.2.INSERT: THERMOPLASTIC,UL94V-0
 - 1.3.CENTER CONTACT : COPPER ALLOY,Au PLATING
- 2.NUMBER OF CONTACT : 2 TO 14 POSITION
- 3.RoHS DIRECTIVE COMPLIANCE

| | | | | | | |
|----------------------------|--|--|--|--|----------|---------|
| THIRD ANGLE PROJECTION | | TOLERANCES UNLESS OTHERWISE SPECIFIED | | Dongguan Circon Technology Co.,Ltd. | | |
| UNITS ■ mm □ INCH | | 0 PLC ± 1.00 1 PLC ± 0.50 2 PLC ± 0.25 3 PLC ± 4 PLC ± | | | | |
| APPROVED BY | | JACK | | DATE | 2018-3-2 | |
| CHECKED BY | | CHARLES | | DATE | 2018-3-2 | |
| DRAWN BY | | ANDY | | DATE | 2018-3-2 | |
| REV. B1 | | Change fo P/N | | ECR/ECN NO. | ECR18006 | |
| REVISION DESCRIPTION | | 2018-3-1 | | DATE | 2018-3-1 | |
| C | | DRAWING NO. | | A-M-010 | | REV. B1 |
| SIZE: A3 | | PART NO. | | 1PXS1XXXXXXBXX | | |
| SCALE: 1:1 | | SHEET: 1 OF 2 | | | | |

| | | | | | | | | | | | | | |
|------|----|---------------|-------------|----------|------|----------|----------|------|------|----------|----------|------------|---------------|
| REV. | B1 | Change fo P/N | ECR/ECN NO. | ECR18006 | DATE | 2018-3-1 | DRAWN BY | ANDY | DATE | 2018-3-2 | SIZE: A3 | SCALE: 1:1 | SHEET: 1 OF 2 |
|------|----|---------------|-------------|----------|------|----------|----------|------|------|----------|----------|------------|---------------|

KEYING (FREE SOCKET FRONT VIEW):



| | | | | | | | | | | | | | | |
|---|---------|--|---------------|---|-------------|--|----------|----------|------|------|----------|----------|------------|---------------|
| THIRD ANGLE PROJECTION | | TOLERANCES UNLESS OTHERWISE SPECIFIED | |  Dongguan Circon Technology Co.,Ltd. | | | | | | | | | | |
|  UNITS <input checked="" type="checkbox"/> mm <input type="checkbox"/> INCH ANGLES 0 PLC ± 3 1 PLC ± 2 | | 0 PLC ± 1.00 1 PLC ± 0.50 2 PLC ± 0.25 3 PLC ± 4 PLC ± | | | | TITLE: 1P CIRCULAR CONNECTOR FREE SOCKET Nut=For fitting a bend relief type-IP50 | | | | | | | | |
| APPROVED BY | JACK | DATE | 2018-3-2 | C | DRAWING NO. | A-M-010 | REV. | B1 | | | | | | |
| CHECKED BY | CHARLES | DATE | 2018-3-2 | | PART NO. | 1PXS1XXXXXXBXX | | | | | | | | |
| REV. | B1 | REVISION DESCRIPTION | Change fo P/N | ECR/ECN NO. | ECR18006 | DATE | 2018-3-1 | DRAWN BY | ANDY | DATE | 2018-3-2 | SIZE: A3 | SCALE: 1:1 | SHEET: 2 OF 2 |