

1P圆形抛弃式连接器料号说明:

1P X MA 1 X XX X 0 0 A 0

① ② ③ ④

① 塑胶材质

A=灰色PSU

B=黑色PSU

C=灰色PEI

D=黑色PEI

1=灰色PC+ABS

2=黑色PC+ABS

② 端子电镀

2=厚金

A=薄金

③ 端子数量

02=2Pin

⋮

⋮

14=14Pin

④ 防呆键位

G= 0°

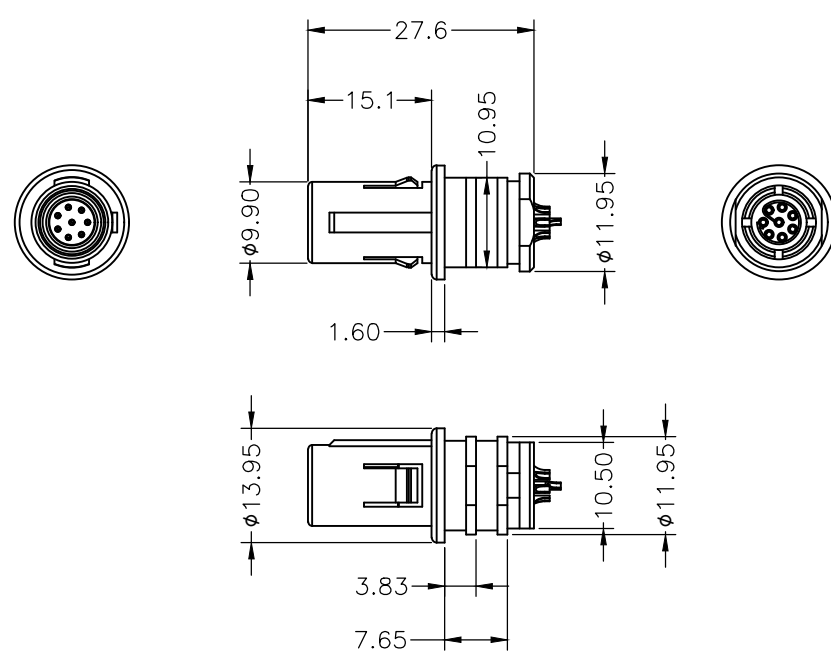
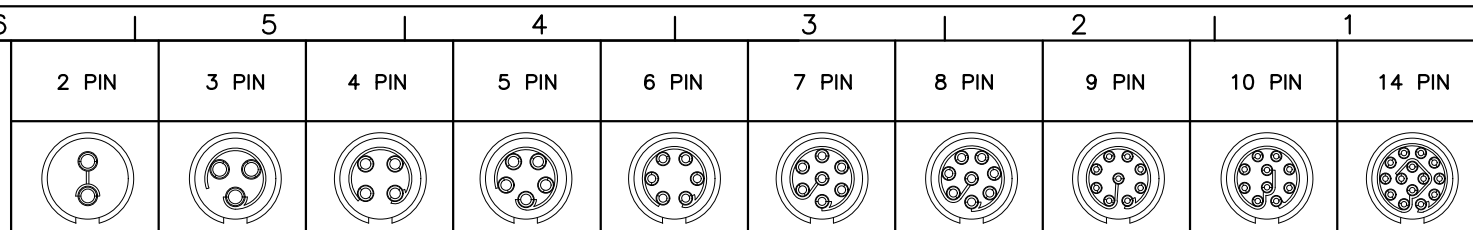
A= 40°

B= 60°

C= 80°

H= 170°

J= 205°



注解:

1.材质:

1.1.外壳: 热塑性工程塑胶, UL94V-0

1.2.端子: 铜合金, 镍底表面镀金

2.连接器PIN数: 2到14PIN, 具体参见上表

3.产品符合RoHS相关要求

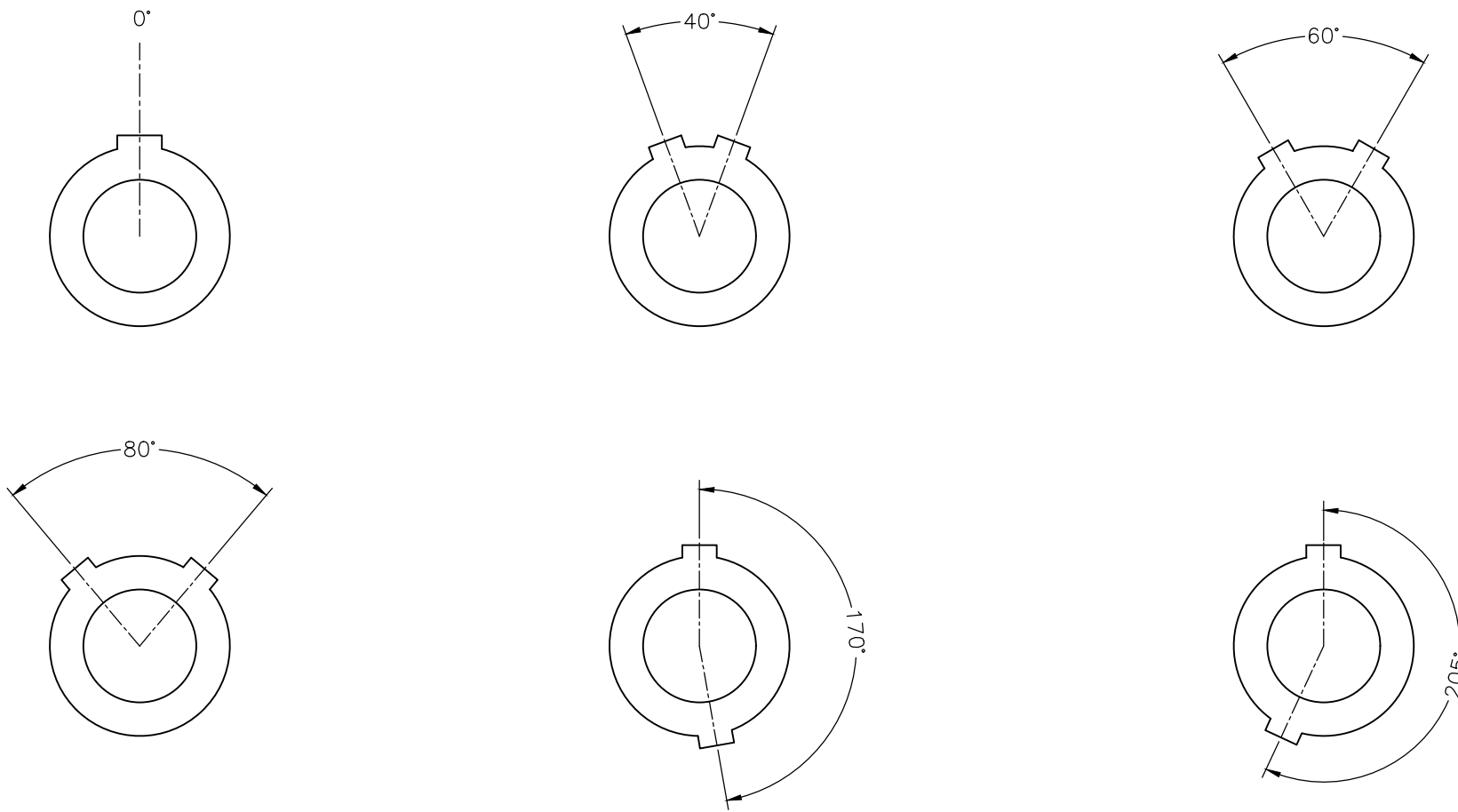
THIRD ANGLE PROJECTION		TOLERANCES UNLESS OTHERWISE SPECIFIED	
		0 PLC ± 0.50 1 PLC ± 0.20 2 PLC ± 0.10 3 PLC ± 4 PLC ±	
UNITS <input checked="" type="checkbox"/> mm <input type="checkbox"/> INCH			
ANGLES 0 PLC ± 3 1 PLC ± 2			

Dongguan Circon Technology Co.,Ltd.

TITLE: 1P圆形抛弃式连接器-TYPE II

REV.	REVISION DESCRIPTION	ECR/ECN NO.	DATE	DRAWN BY	ANDY	DATE	2019-9-23	SIZE: A3	SCALE: 1:1	SHEET: 1 OF 2
				CHECKED BY	CHARLES	DATE	2019-9-23	DRAWING NO.	A-M-102	REV.
				APPROVED BY	JACK	DATE	2019-9-23	PART NO.	1PXMA1XXX00A0	A0

防呆键位图示:



THIRD ANGLE PROJECTION 		TOLERANCES UNLESS OTHERWISE SPECIFIED		 Dongguan Circon Technology Co.,Ltd. TITLE: 1P圆形抛弃式连接器-TYPE II	
UNITS <input checked="" type="checkbox"/> mm <input type="checkbox"/> INCH		0 PLC ± 0.50 1 PLC ± 0.20 2 PLC ± 0.10 3 PLC ± 4 PLC ±			
ANGLES 0 PLC ± 3 1 PLC ± 2		APPROVED BY	JACK	DATE	2019-9-23
		CHECKED BY	CHARLES	DATE	2019-9-23
		DRAWN BY	ANDY	DATE	2019-9-23
REV.	REVISION DESCRIPTION	ECR/ECN NO.	DATE	SIZE: A3	SCALE: 1:1
				SHEET: 2 OF 2	