

1P CIRCULAR ASSEMBLY P/N DESCRIPTION :

1P X M1 X X XX X X A X X
 ① ② ③ ④ ⑤ ⑥ ⑦ ⑧

① Type

- A=Shell:PSU Grey
- B=Shell:PSU Black
- C=Shell:PEI Grey
- D=Shell:PEI Black
- E=Shell:PPSU Grey
- F=Shell:PPSU Black
- 1=Shell:ABS Grey
- 2=Shell:ABS Black

② Insert

- P=PEEK
- S=PPS

③ Plating

- 2=High Gold
- A=Gold flash

④ Number of contacts

- 02=2Pin
- ⋮
- 14=14Pin

⑤ Keying

- G= 0° (2-14Pin) H= 170° (8,10&14Pin)
- A= 40° (2-14Pin) J= 205° (8,10&14Pin)
- B= 60° (2-14Pin)
- C= 80° (2-14Pin)

⑥ Cable collet

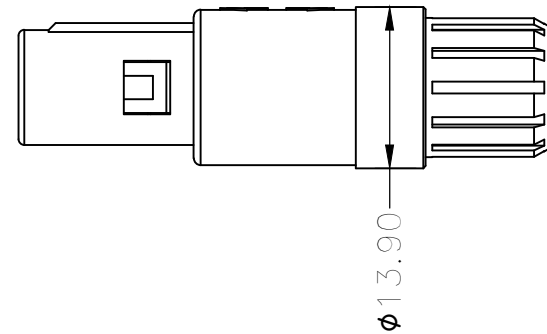
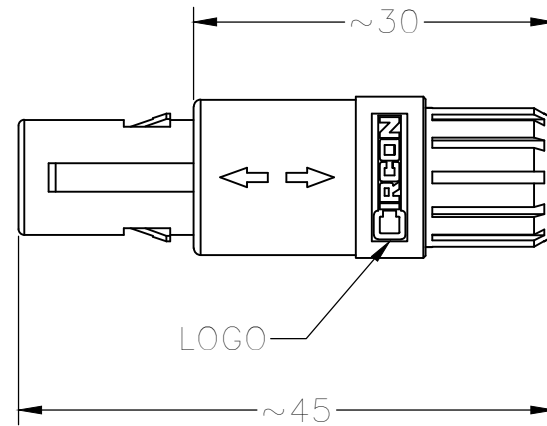
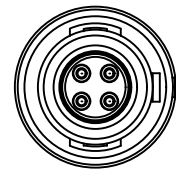
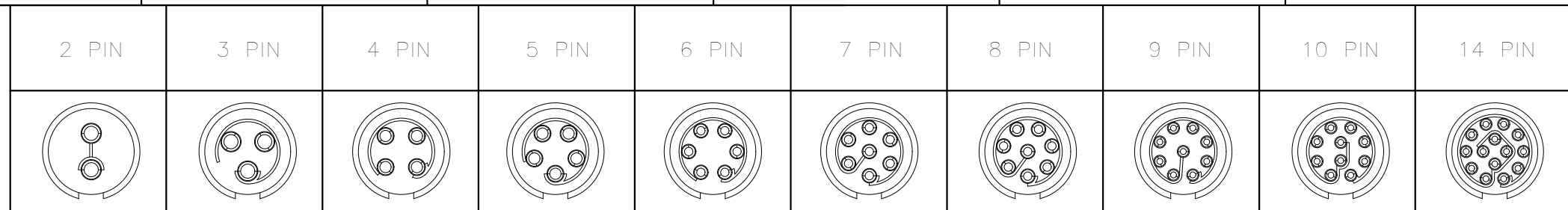
- 3=φ3.9mm (Cableφ=2.7~3.9mm)
- 5=φ5.2mm (Cableφ=4.0~5.2mm)
- 6=φ6.5mm (Cableφ=5.3~6.5mm)

⑦ Nut Colour

- 0= Black 2= Red 5= Green 8= Grey
- 1= White 4= Yellow 6= Blue

⑧ Logo

- 0= No Logo A= No Logo&With Ink mark
- 1= With Logo B=With Logo&With Ink mark



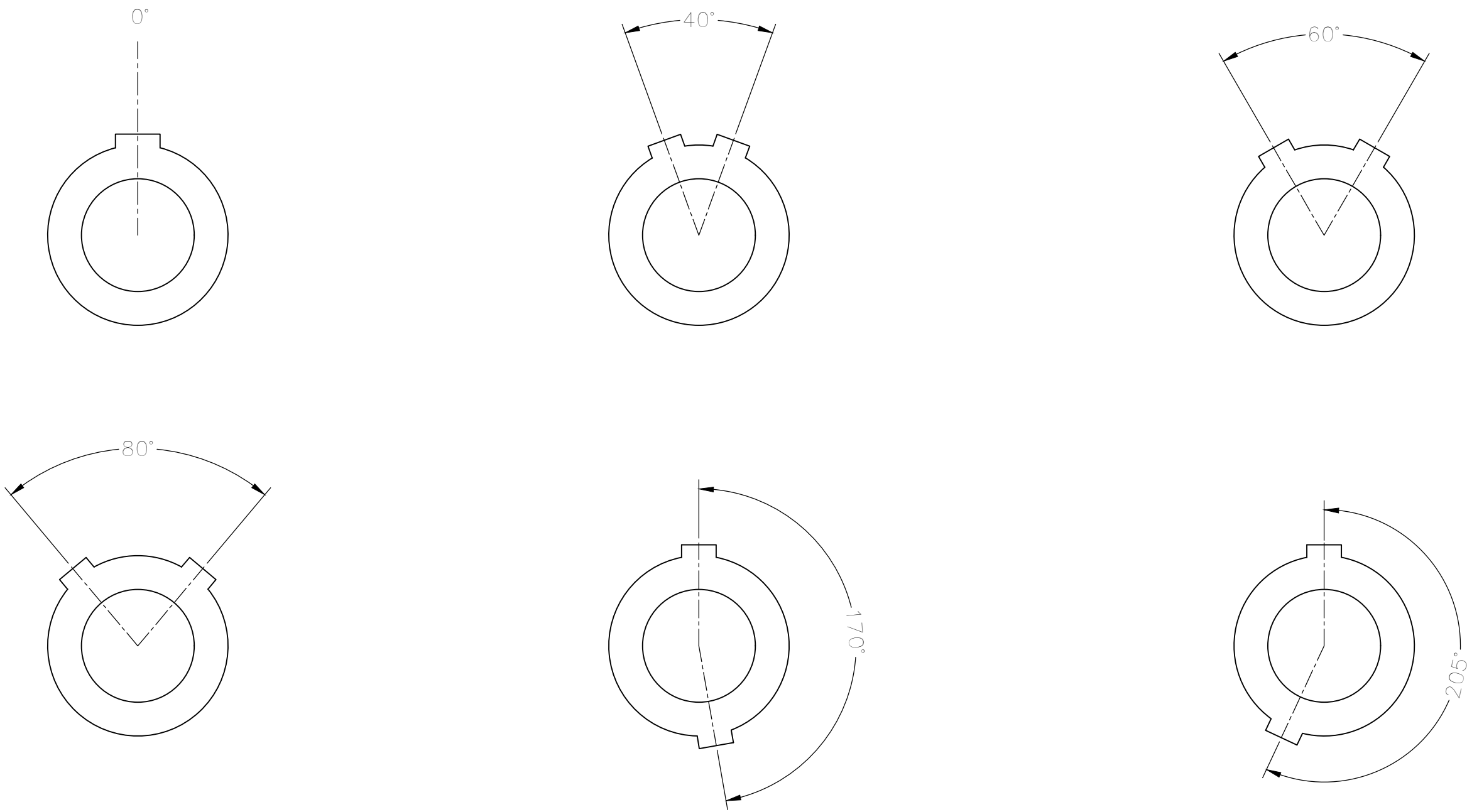
NOTE:

1. MATERIAL:
 - 1.1.SHELL: THERMOPLASTIC,UL94V-0
 - 1.2.INSERT: THERMOPLASTIC,UL94V-0
 - 1.3.CENTER CONTACT : COPPER ALLOY,Au PLATING
- 2.NUMBER OF CONTACT : 2 TO 14 POSITION
- 3.RoHS DIRECTIVE COMPLIANCE

THIRD ANGLE PROJECTION 		TOLERANCES UNLESS OTHERWISE SPECIFIED		 Dongguan Circon Technology Co.,Ltd.		
UNITS ■ mm □ INCH		0 PLC ± 1.00 1 PLC ± 0.50 2 PLC ± 0.25 3 PLC ± 4 PLC ±				
APPROVED BY		JACK		DATE	2018-6-8	
CHECKED BY		CHARLES		DATE	2018-6-8	
DRAWN BY		ANDY		DATE	2018-6-8	
REV. B2		Change fo P/N		ECR/ECN NO.	EC18010	
REVISION DESCRIPTION		2018-6-6		C		
DRAWING NO.		A-M-001		REV. B2		
PART NO.		1PXM1XXXXXXAXX		SIZE: A3		
SCALE: 1:1		SHEET: 1 OF 2				

REV.	B2	Change fo P/N	ECR/ECN NO.	2018-6-6
REVISION DESCRIPTION	2018-6-6	ECR/ECN NO.	DATE	DRAWN BY

KEYING (PLUG FRONT VIEW):



THIRD ANGLE PROJECTION 		TOLERANCES UNLESS OTHERWISE SPECIFIED		 Dongguan Circon Technology Co.,Ltd.		
UNITS <input checked="" type="checkbox"/> mm <input type="checkbox"/> INCH		0 PLC ± 1.00 1 PLC ± 0.50 2 PLC ± 0.25 3 PLC ± 4 PLC ±				
ANGLES 0 PLC ± 3 1 PLC ± 2		TITLE: 1P CIRCULAR CONNECTOR STRAIGHT PLUGS Nut=Standard type		C	DRAWING NO. A-M-001 PART NO. 1PXM1XXXXXXAXX	REV. B2
APPROVED BY	JACK	DATE	2018-6-8		SIZE: A3	SCALE: 1:1
CHECKED BY	CHARLES	DATE	2018-6-8			
DRAWN BY	ANDY	DATE	2018-6-8			

B2	Change fo P/N	EC18010	2018-6-6
REV.	REVISION DESCRIPTION	ECR/ECN NO.	DATE