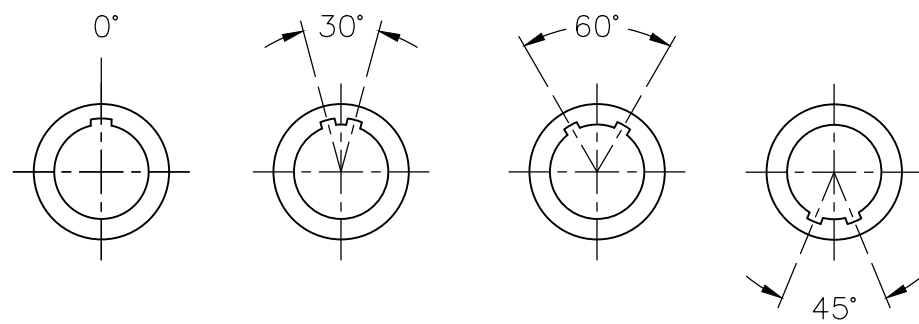


00 METAL CIRCULAR ASSEMBLY P/N DESCRIPTION :

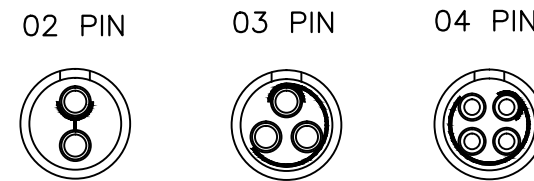
00 A S1 X X XX X XX B  
 ① ② ③ ④ ⑤

- ① Insert  
 P=PEEK  
 1=PPS
- ② Plating  
 2=High Gold  
 A=Gold Flash
- ③ Number of contacts  
 02=2Pin  
 03=3Pin  
 04=4Pin
- ④ Keying  
 G= 0°  
 A= 30°  
 B= 60°  
 J= 45°
- ⑤ Cable collet  
 22=2.2mm (Cable $\phi$ 1.4~2.2mm)  
 27=2.7mm (Cable $\phi$ 2.2~2.7mm)  
 35=3.5mm (Cable $\phi$ 2.7~3.5mm)

KEYING ANGLES (RECEPTACLE FRONT VIEW)



VIEW FROM TERMINATION SIDE PIN PART



NOTE:

1. MATERIAL:
  - 1.1.SHELL ASSEMBLY: COPPER ALLOY, OUTER SHELL AND COLLET NUT Cr PLATING,  
 OTHER METALLIC COMPONENTS Ni PLATING
  - 1.2.INSERT: THERMOPLASTIC, UL94V-0
  - 1.3.CENTER CONTACT : COPPER ALLOY, Au PLATING
- 2.NUMBER OF CONTACT : 2,3,4 POSITION
- 3.RoHS DIRECTIVE COMPLIANCE

THIRD ANGLE PROJECTION 		TOLERANCES UNLESS OTHERWISE SPECIFIED	
UNITS ■ mm □ INCH		0 PLC ± 1.00	
ANGLES 0 PLC ± 3		1 PLC ± 0.50	
1 PLC ± 2		2 PLC ± 0.25	
APPROVED BY JACK		DATE	2019-7-26
CHECKED BY CHARLES		DATE	2019-7-26
DRAWN BY ANDY		DATE	2019-7-26



Dongguan Circon Technology Co.,Ltd.

TITLE: 00 METAL CIRCULAR CONNECTOR  
 FLOATING SOCKET

C	DRAWING NO.	A-M-139	REV.
	PART NO.	00AS1XXXXXXXXXB	A0

REV.	REVISION DESCRIPTION	ECR/ECN NO.	DATE	DRAWN BY	ANDY	DATE	2019-7-26	SIZE: A3	SCALE: 1:1	SHEET: 1 OF 1
------	----------------------	-------------	------	----------	------	------	-----------	----------	------------	---------------