

00 METAL CIRCULAR END RELIEF P/N DESCRIPTION :

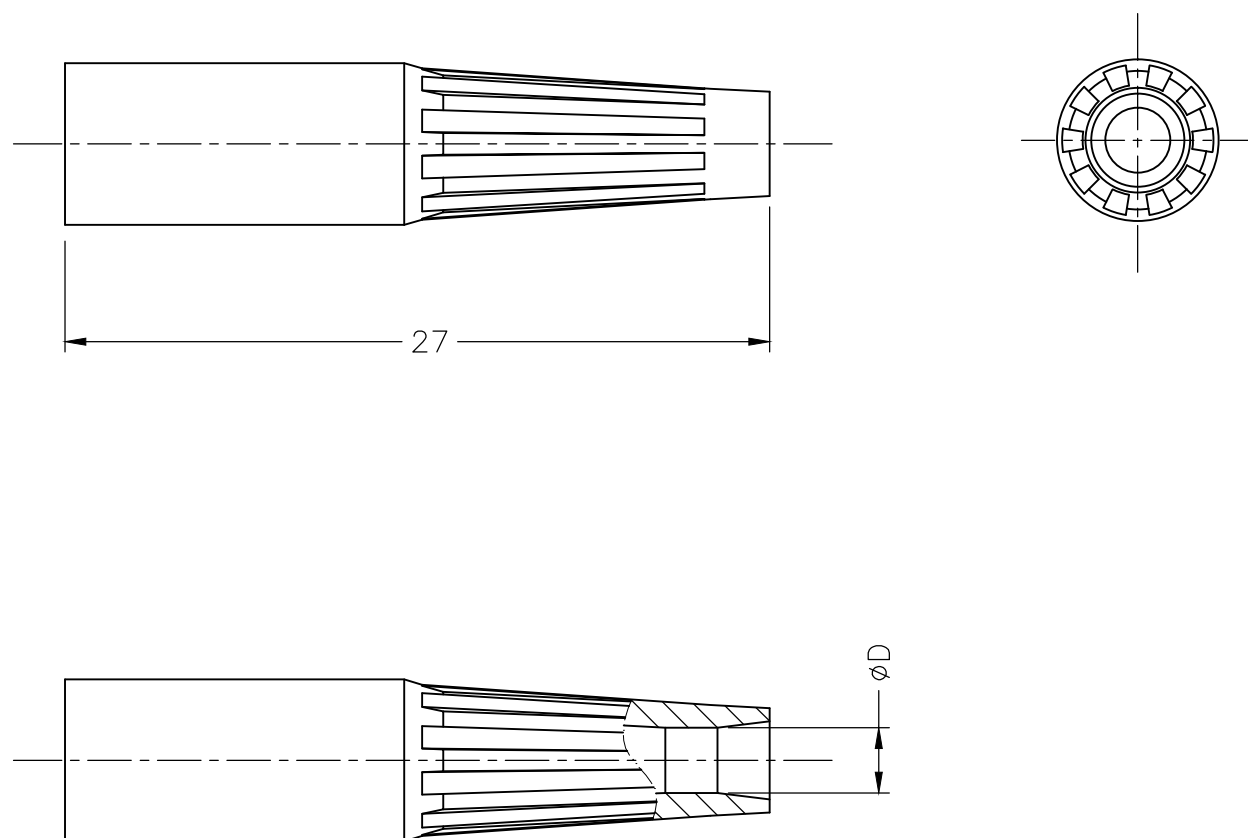
RB012 XX X 0
① ②

① DIM.D

- 12=CABLE OD 1.1mm-1.4mm
- 18=CABLE OD 1.8mm-2.1mm
- 25=CABLE OD 2.5mm-2.8mm
- 28=CABLE OD 2.8mm-3.1mm
- 32=CABLE OD 3.2mm-3.5mm

② COLOUR

- B=Blue
- W=White
- G=Gray
- Y=Yellow
- N=Black
- R=Red



NOTE:

- 1.MATERIAL : SILICA GEL.
- 2.RoHS DIRECTIVE COMPLIANCE

THIRD ANGLE PROJECTION 		TOLERANCES UNLESS OTHERWISE SPECIFIED		 Dongguan Circon Technology Co.,Ltd.		
UNITS <input checked="" type="checkbox"/> mm <input type="checkbox"/> INCH		0 PLC ± 1.00 1 PLC ± 0.50 2 PLC ± 0.25 3 PLC ± 4 PLC ±				
ANGLES 0 PLC ± 3 1 PLC ± 2		APPROVED BY JACK DATE 2019-7-26 CHECKED BY CHARLES DATE 2019-7-26 DRAWN BY ANDY DATE 2019-7-26		TITLE: 00 METAL CIRCULAR CONNECTOR END RELIEF C DRAWING NO. A-M-140 REV. A0 PART NO. RB012XXXX		
REV.	REVISION DESCRIPTION	ECR/ECN NO.	DATE	SIZE: A3	SCALE: 1:1	SHEET: 1 OF 1