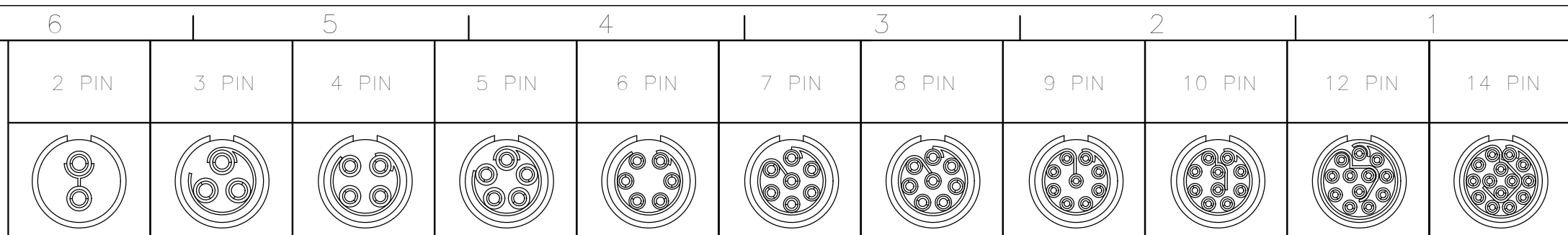


1P CIRCULAR ASSEMBLY P/N DESCRIPTION :

1P X F1 X X XX X 0 D X X
 ① ② ③ ④ ⑤ ⑥ ⑦



- ① Type
 A=Shell:PSU Grey
 B=Shell:PSU Black
 C=Shell:PEI Grey
 D=Shell:PEI Black
 E=Shell:PPSU Grey
 F=Shell:PPSU Black
 1=Shell:ABS Grey
 2=Shell:ABS Black

- ② Insert
 P=PEEK
 S=PPS

- ③ Plating
 2=High Gold
 A=Gold flash

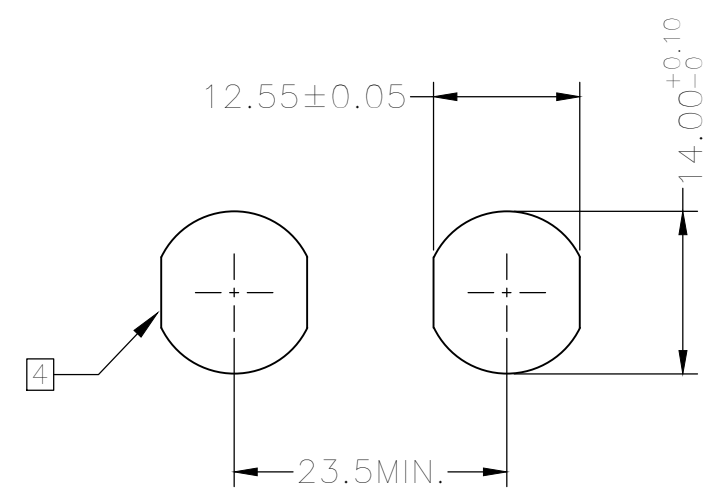
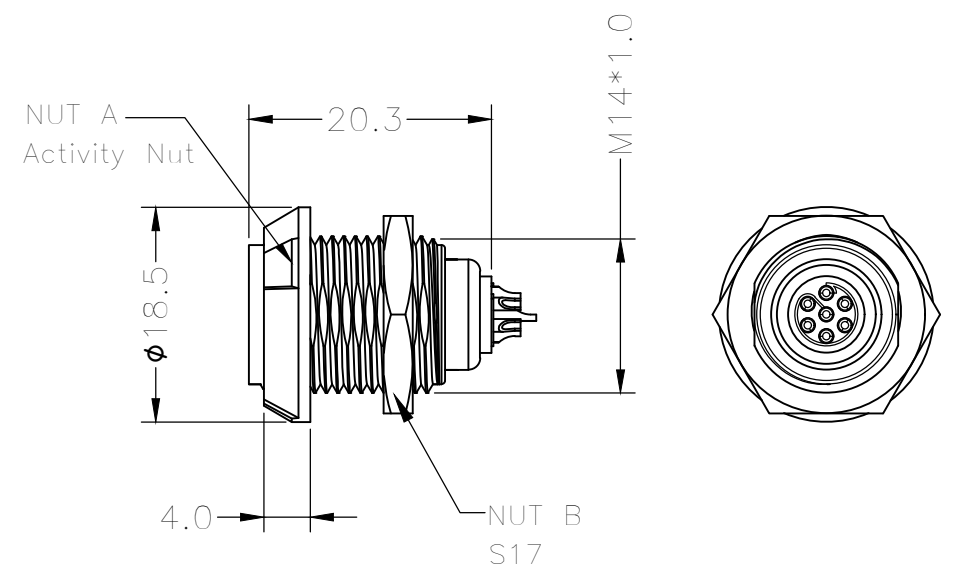
- ④ Number of contacts
 02=2Pin

 14=14Pin

- ⑤ Keying
 G= 0° (2-14Pin) H= 170° (8,10&14Pin)
 A= 40° (2-14Pin) J= 205° (8,10&14Pin)
 B= 60° (2-14Pin)
 C=80° (2-14Pin)

- ⑥ Nut Colour
 0= Black 2= Red 5= Green 8= Grey
 1= White 4= Yellow 6= Blue

- ⑦ Logo
 0= No Logo A= No Logo&With Ink mark
 1= With Logo B=With Logo&With Ink mark

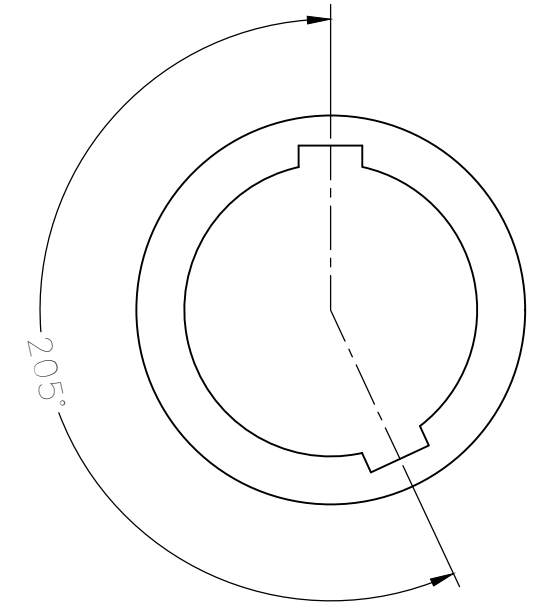
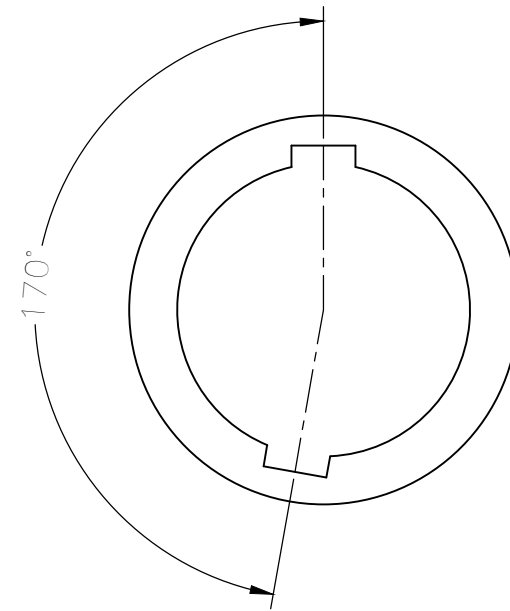
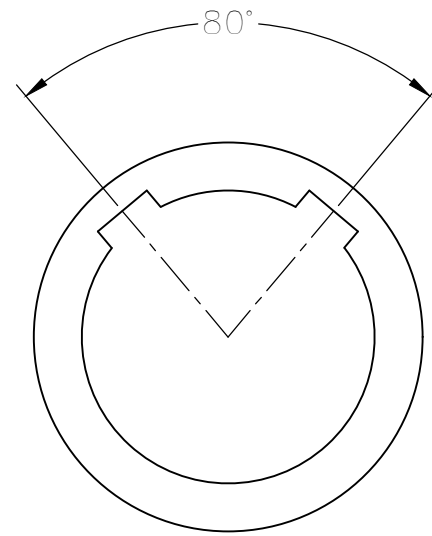
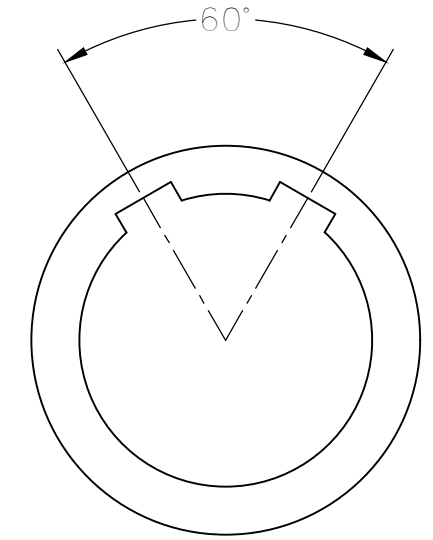
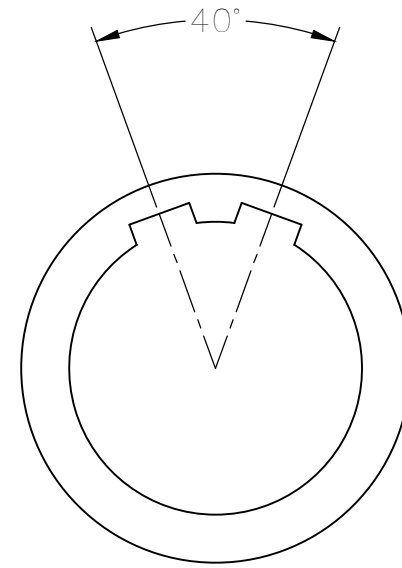
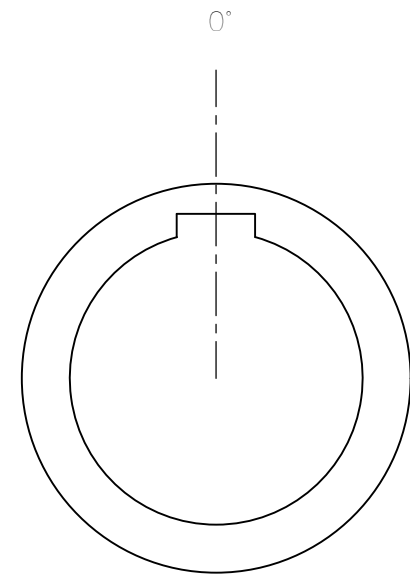


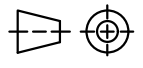
NOTE:
 1. MATERIAL:
 1.1.SHELL: THERMOPLASTIC,UL94V-0
 1.2.INSERT: THERMOPLASTIC,UL94V-0
 1.3.CENTER CONTACT : COPPER ALLOY, Au PLATING
 1.4.NUT A : THERMOPLASTIC,UL94V-0
 1.5.NUT B : COPPER ALLOY,Ni PLATING
 2.NUMBER OF CONTACT : 2 TO 14 POSITION
 3.RoHS DIRECTIVE COMPLIANCE
 ④PANEL HOLE

THIRD ANGLE PROJECTION 		TOLERANCES UNLESS OTHERWISE SPECIFIED		 Dongguan Circon Technology Co.,Ltd.	
UNITS ■ mm □ INCH		0 PLC ± 1.00 1 PLC ± 0.50 2 PLC ± 0.25 3 PLC ± 4 PLC ±			
APPROVED BY		JACK	DATE	2018-6-8	C
CHECKED BY		CHARLES	DATE	2018-6-8	
DRAWN BY		ANDY	DATE	2018-6-8	DRAWING NO. A-M-002 PART NO. 1PXF1XXXXX0DXX
REVISION DESCRIPTION		ECR/ECN NO.	DATE	2018-6-8	TITLE: 1P CIRCULAR CONNECTOR FIXED SOCKETS REV. B2
B2	Change fo P/N	EC18010	2018-6-6		SIZE: A3 SCALE: 1:1 SHEET: 1 OF 2

REV.	REVISION DESCRIPTION	ECR/ECN NO.	DATE
B2	Change fo P/N	EC18010	2018-6-6

KEYING (RECEPTACLE FRONT VIEW):



THIRD ANGLE PROJECTION

 UNITS mm INCH
 ANGLES 0 PLC ± 3
 1 PLC ± 2

TOLERANCES UNLESS OTHERWISE SPECIFIED
 0 PLC ± 1.00
 1 PLC ± 0.50
 2 PLC ± 0.25
 3 PLC ±
 4 PLC ±

CIRCON[®]
 Dongguan Circon Technology Co.,Ltd.
 TITLE: 1P CIRCULAR CONNECTOR
 FIXED SOCKETS

APPROVED BY	JACK	DATE	2018-6-8
CHECKED BY	CHARLES	DATE	2018-6-8
DRAWN BY	ANDY	DATE	2018-6-8

C	DRAWING NO.	A-M-002	REV.	B2	
	PART NO.	1PXF1XXXXX0DXX			
SIZE:	A3	SCALE:	1:1	SHEET:	2 OF 2

REV.	B2	Change fo P/N	ECR/ECN NO.	EC18010	DATE	2018-6-6
------	----	---------------	-------------	---------	------	----------