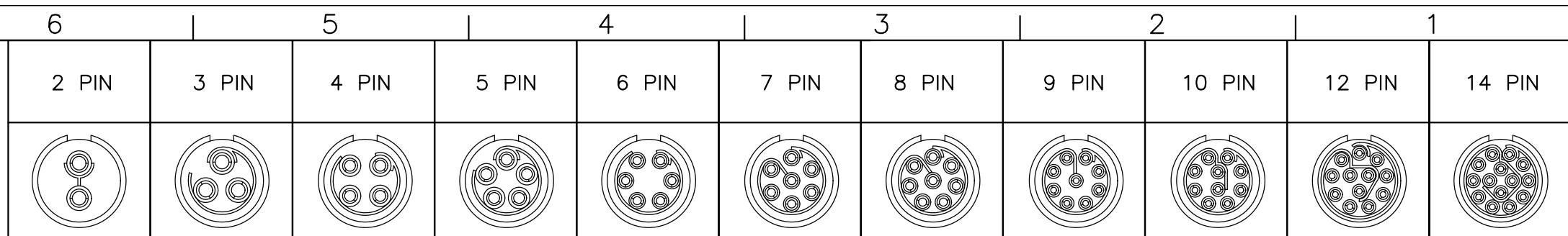


1P CIRCULAR ASSEMBLY P/N DESCRIPTION :

1P X F5 X X XX X 0 D X X
 ① ② ③ ④ ⑤ ⑥ ⑦



- ① Type
 A=Shell:PSU Grey
 B=Shell:PSU Black
 C=Shell:PEI Grey
 D=Shell:PEI Black
 E=Shell:PPSU Grey
 F=Shell:PPSU Black
 1=Shell:ABS Grey
 2=Shell:ABS Black

- ② Insert
 P=PEEK
 S=PPS

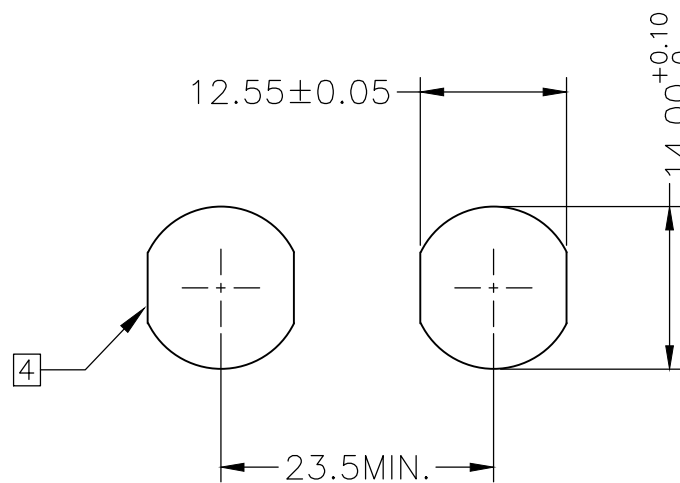
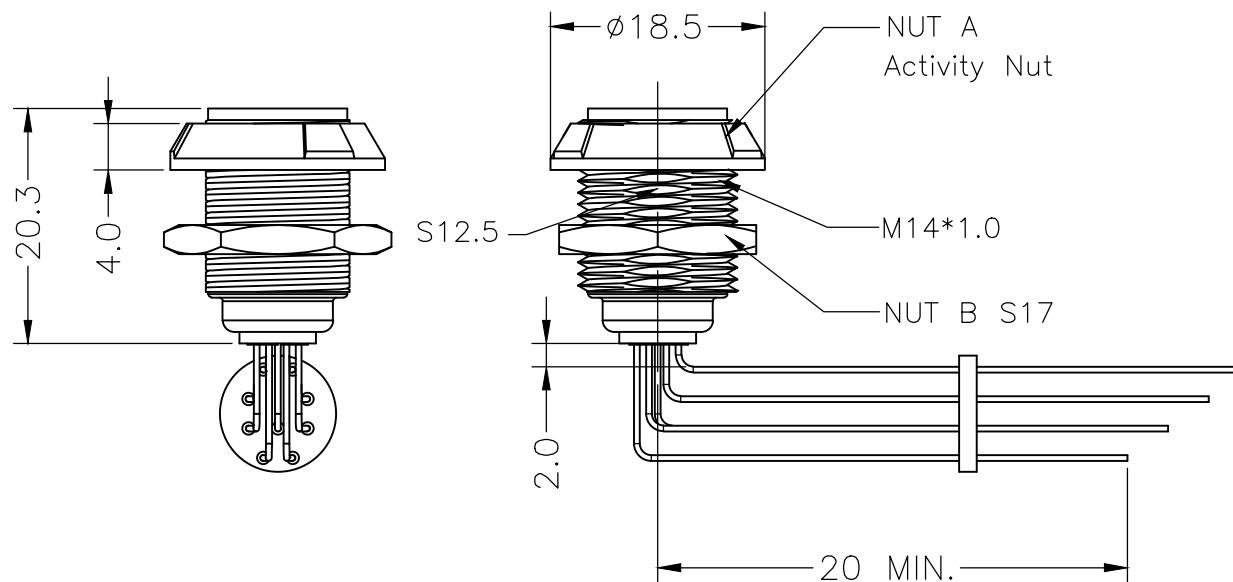
- ③ Plating
 2=High Gold
 A=Gold flash

- ④ Number of contacts
 02=2Pin
 ⋮
 14=14Pin

- ⑤ Keying
 G= 0° (2-14Pin) H= 170° (8,10&14Pin)
 A= 40° (2-14Pin) J= 205° (8,10&14Pin)
 B= 60° (2-14Pin)
 C= 80° (2-14Pin)

- ⑥ Nut Colour
 0= Black 2= Red 5= Green 8= Grey
 1= White 4= Yellow 6= Blue

- ⑦ Logo
 0= No Logo A= No Logo&With Ink mark
 1= With Logo B= With Logo&With Ink mark



NOTE:

1. MATERIAL:
 - 1.1.HOUSING: THERMOPLASTIC,GREY,UL94V-0
 - 1.2.CENTER CONTACT : COPPER ALLOY , Au PLATING
 - 1.3.CENTER WIRE : COPPER ALLOY
 - 1.4.NUT A : THERMOPLASTIC,COLOUR,UL94V-0
 - 1.5.NUT B : COPPER ALLOY
 - 1.6.SPACER : THERMOPLASTIC,NATURAL,UL94V-0
- 2.NUMBER OF CONTACT : 2 TO 14 POSITION
- 3.RoHS DIRECTIVE COMPLIANCE
- ④ PANEL HOLE

THIRD ANGLE PROJECTION 	TOLERANCES UNLESS OTHERWISE SPECIFIED
UNITS ■ mm □ INCH	0 PLC ± 1.00
ANGLES 0 PLC ± 3	1 PLC ± 0.50
1 PLC ± 2	2 PLC ± 0.25
	3 PLC ±
	4 PLC ±

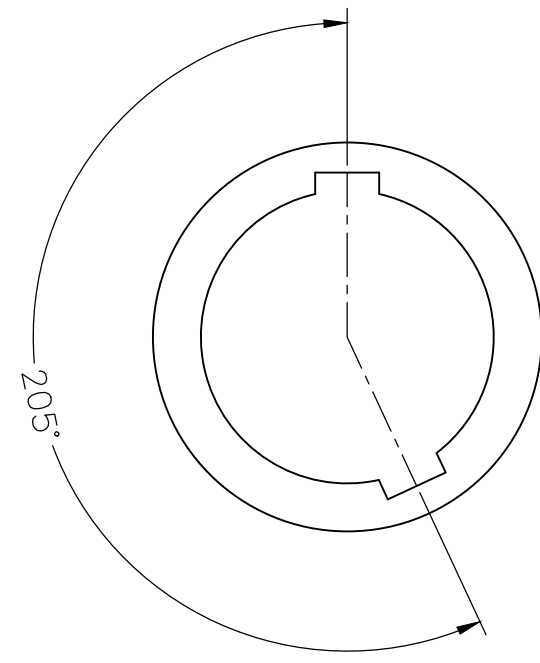
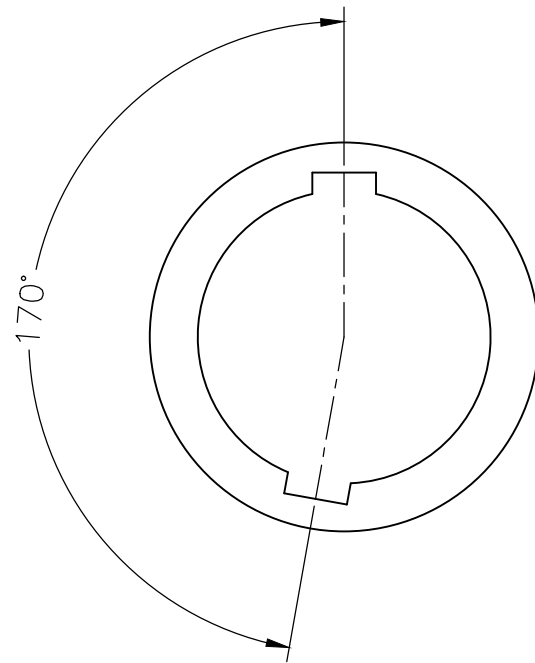
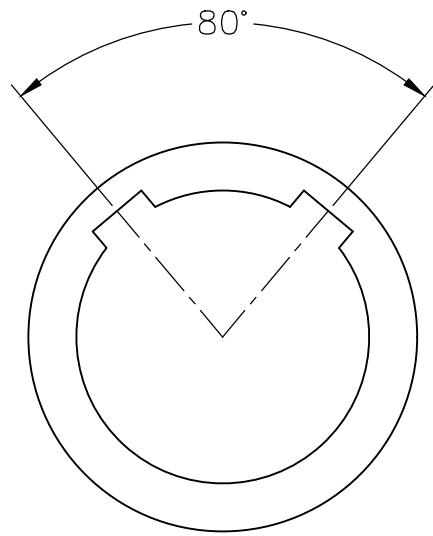
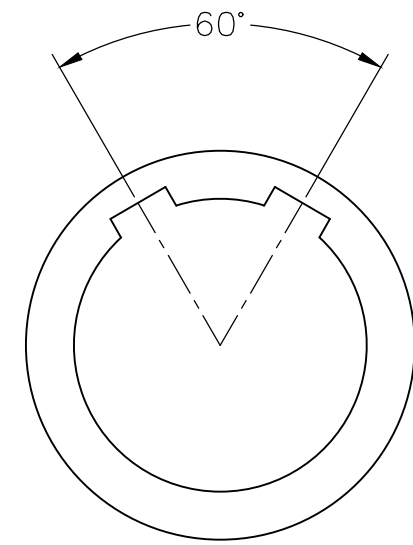
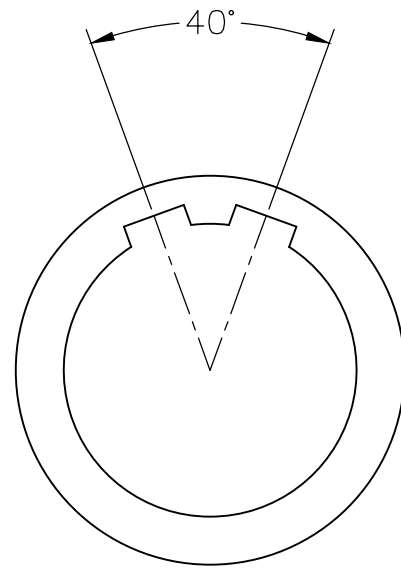
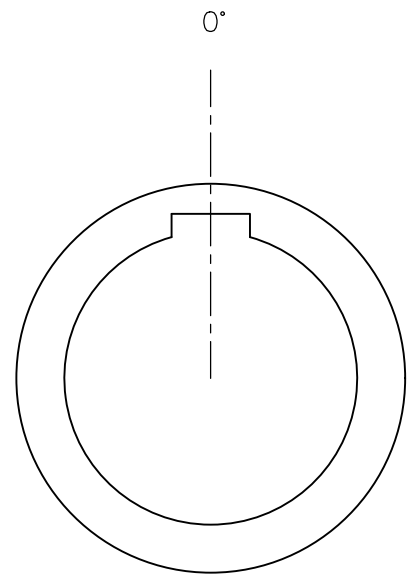
CIRCON[®]
 Dongguan Circon Technology Co.,Ltd.

TITLE: 1P CIRCULAR CONNECTOR
 FIXED 90° SOCKETS

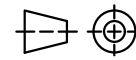
B2	Change fo P/N	EC18010	2018-6-6	CHECKED BY	CHARLES	DATE	2018-6-8	C	DRAWING NO.	A-M-008	REV.	B2
REV.	REVISION DESCRIPTION	ECR/ECN NO.	DATE	DRAWN BY	ANDY	DATE	2018-6-8		SIZE: A3	SCALE: 1:1	SHEET: 1 OF 4	

APPROVED BY	JACK	DATE	2018-6-8
CHECKED BY	CHARLES	DATE	2018-6-8
DRAWN BY	ANDY	DATE	2018-6-8

KEYING (RECEPTACLE FRONT VIEW):



THIRD ANGLE PROJECTION



TOLERANCES UNLESS OTHERWISE SPECIFIED

UNITS mm INCH
 ANGLES 0 PLC ± 3
 1 PLC ± 2

0 PLC ± 1.00
 1 PLC ± 0.50
 2 PLC ± 0.25
 3 PLC ±
 4 PLC ±



Dongguan Circon Technology Co.,Ltd.

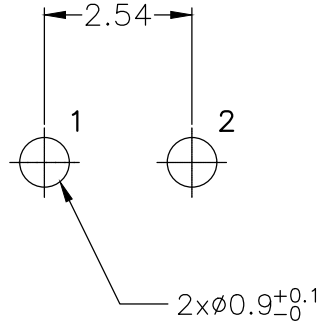
TITLE: 1P CIRCULAR CONNECTOR
 FIXED 90° SOCKETS

B2	Change fo P/N	EC18010	2018-6-6	CHECKED BY	CHARLES	DATE	2018-6-8
REV.	REVISION DESCRIPTION	ECR/ECN NO.	DATE	DRAWN BY	ANDY	DATE	2018-6-8

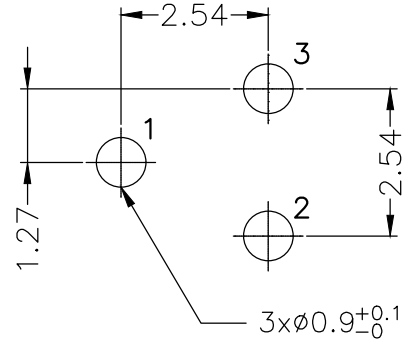
C	DRAWING NO.	A-M-008	REV.	B2
	PART NO.	1PXF5XXXXX0DXX		
SIZE: A3		SCALE: 1:1	SHEET: 2 OF 4	

PCB DRILLING PATTEN:

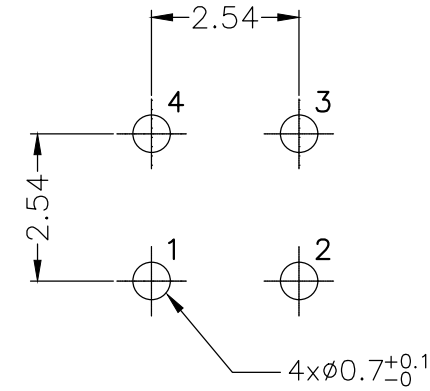
2 PIN



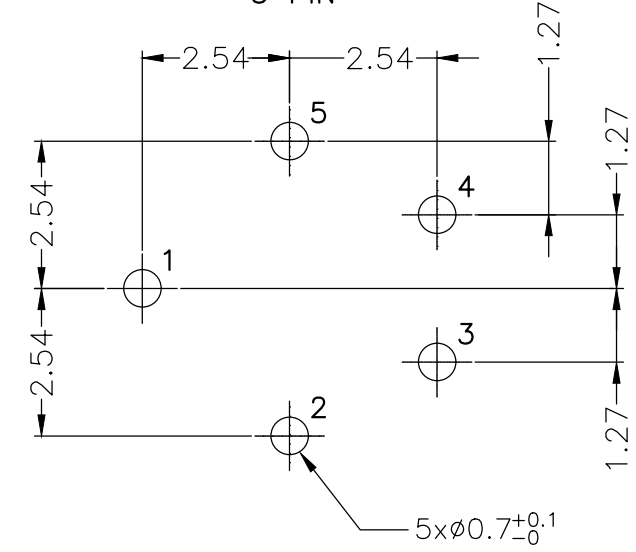
3 PIN



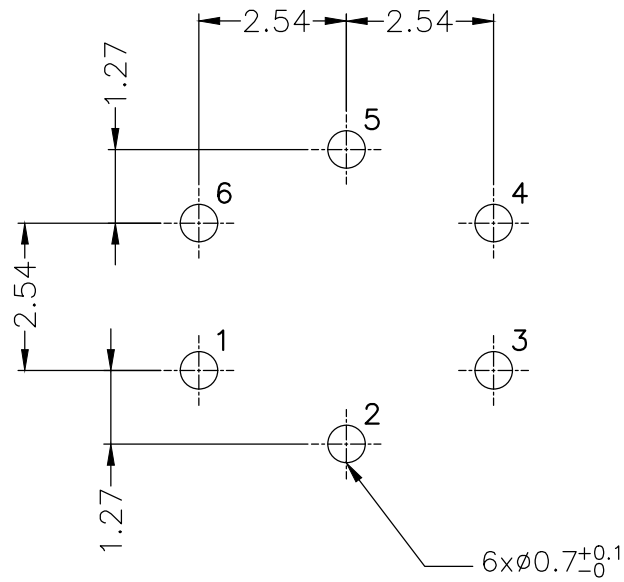
4 PIN



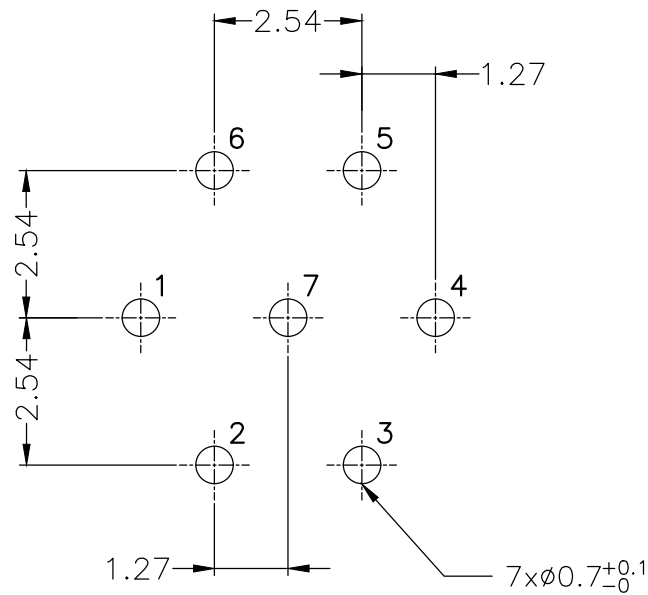
5 PIN



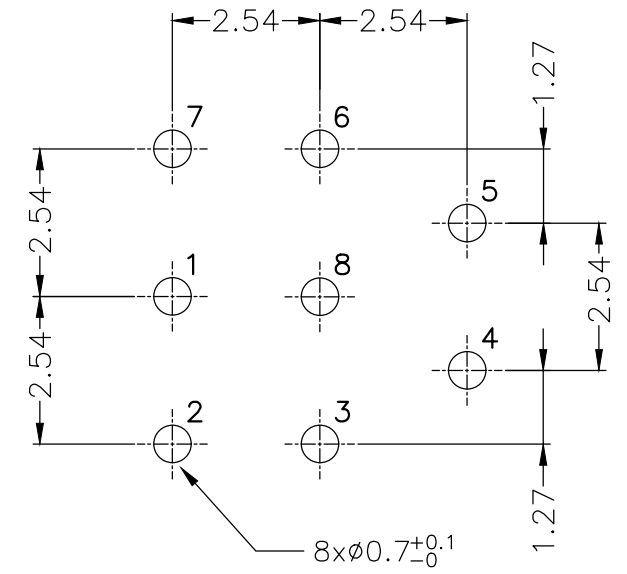
6 PIN



7 PIN



8 PIN



THIRD ANGLE PROJECTION	
UNITS	■ mm □ INCH
ANGLES	0 PLC ± 3 1 PLC ± 2

TOLERANCES UNLESS OTHERWISE SPECIFIED	
0 PLC	± 1.00
1 PLC	± 0.50
2 PLC	± 0.25
3 PLC	±
4 PLC	±

Dongguan Circon Technology Co.,Ltd.

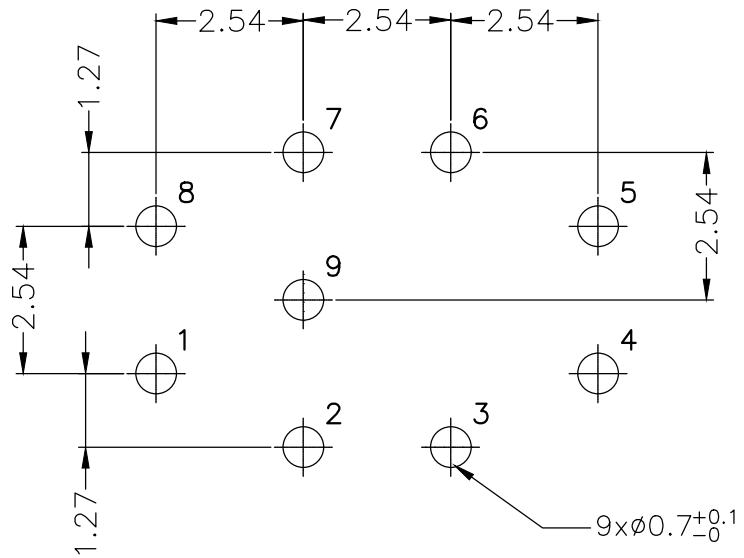
TITLE: 1P CIRCULAR CONNECTOR
FIXED 90° SOCKETS

B2	Change fo P/N	EC18010	2018-6-6	CHECKED BY	CHARLES	DATE	2018-6-8
REV.	REVISION DESCRIPTION	ECR/ECN NO.	DATE	DRAWN BY	ANDY	DATE	2018-6-8

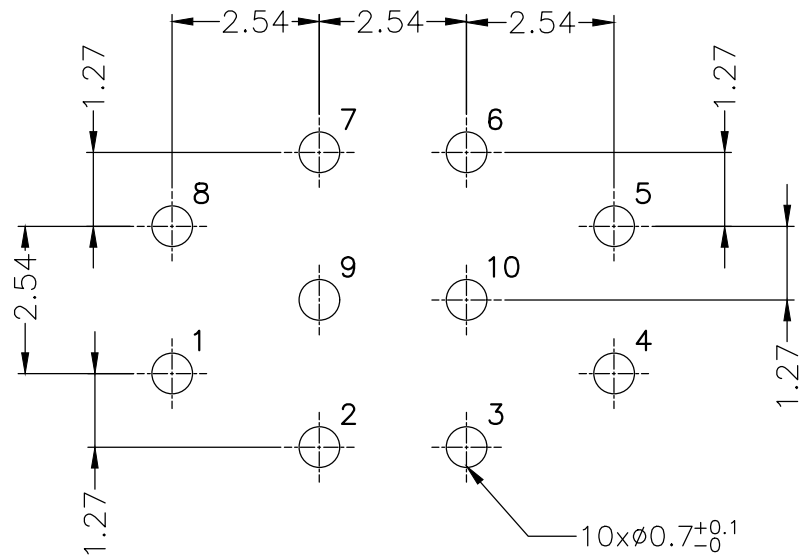
C	DRAWING NO.	A-M-008	REV.	B2
	PART NO.	1PXF5XXXXX0DXX		
SIZE: A3	SCALE: 1:1	SHEET: 3 OF 4		

PCB DRILLING PATTEN:

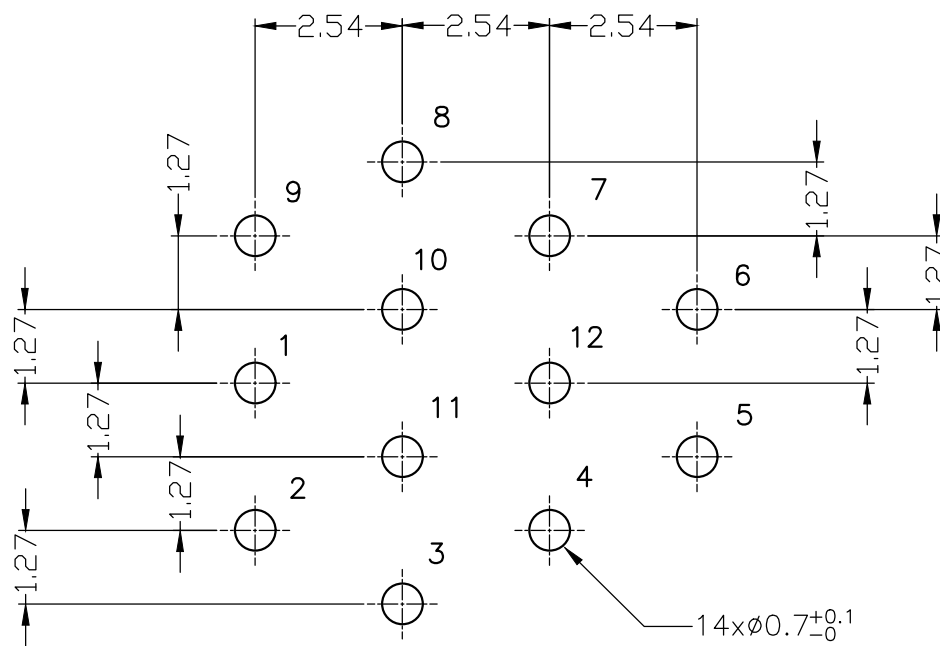
9 PIN



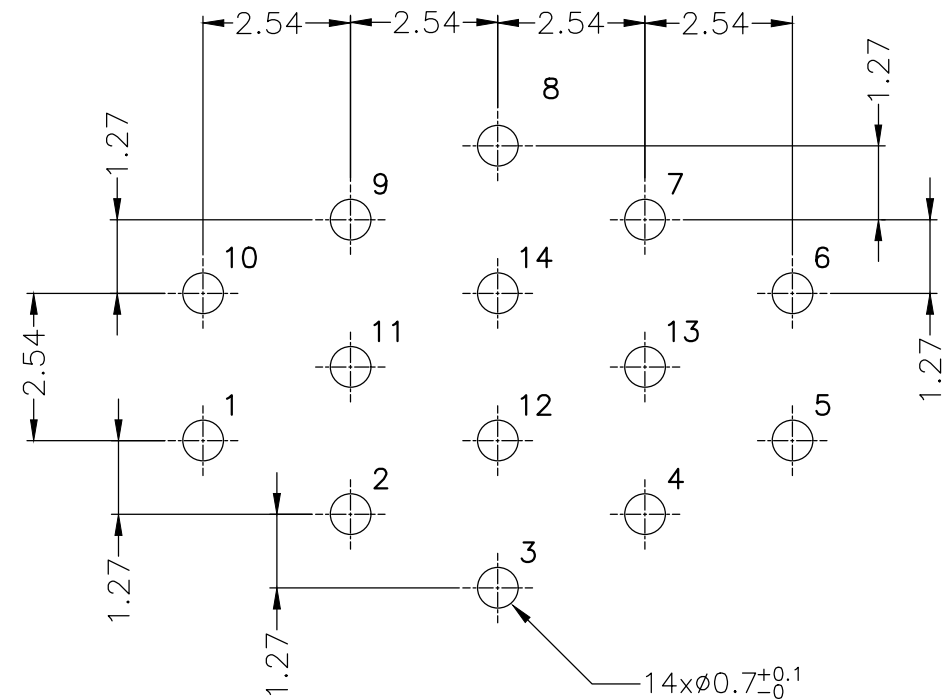
10 PIN



12 PIN



14 PIN



THIRD ANGLE PROJECTION 		TOLERANCES UNLESS OTHERWISE SPECIFIED		 Dongguan Circon Technology Co.,Ltd.	
UNITS <input checked="" type="checkbox"/> mm <input type="checkbox"/> INCH		0 PLC ± 1.00 1 PLC ± 0.50 2 PLC ± 0.25 3 PLC ± 4 PLC ±			
ANGLES 0 PLC ± 3 1 PLC ± 2		APPROVED BY JACK CHECKED BY CHARLES DRAWN BY ANDY		TITLE: 1P CIRCULAR CONNECTOR FIXED 90° SOCKETS	
APPROVED BY JACK CHECKED BY CHARLES DRAWN BY ANDY		DATE 2018-6-8 DATE 2018-6-8 DATE 2018-6-8		C DRAWING NO. A-M-008 PART NO. 1PXF5XXXXX0DXX	
REV. B2 REVISION DESCRIPTION Change fo P/N		EC18010 ECR/ECN NO. 2018-6-6 DATE		REV. B2 SHEET: 4 OF 4	

B2	Change fo P/N	EC18010	2018-6-6
REV.	REVISION DESCRIPTION	ECR/ECN NO.	DATE