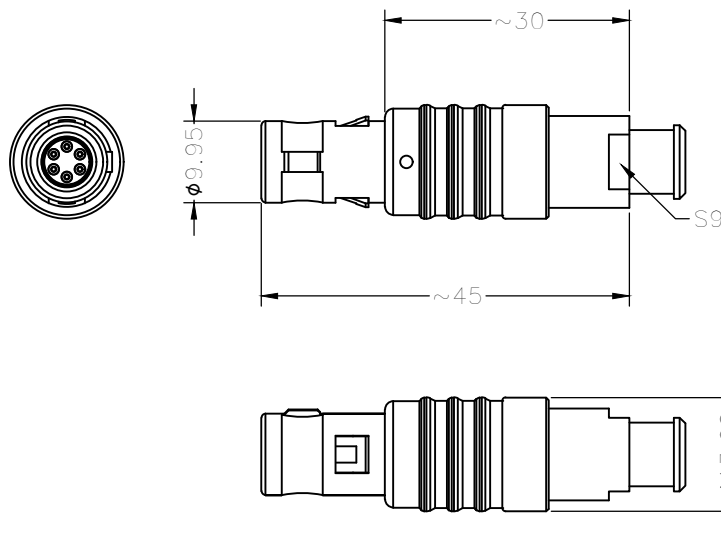
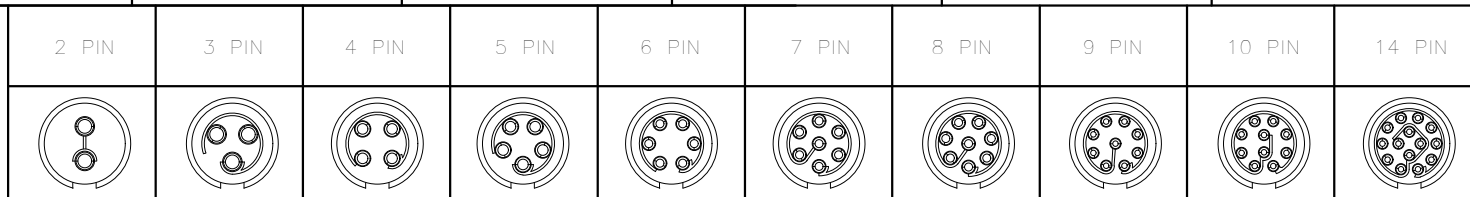


1H CIRCULAR ASSEMBLY P/N DESCRIPTION :

1H A M1 X X XX X X B80
 ① ② ③ ④ ⑤

- ① Insert
P=PEEK
S=PPS
- ② Plating
2=High Gold
A=Gold flash
- ③ Number of contacts
02=2Pin
⋮
⋮
14=14Pin
- ④ Keying
G=0° (2-14Pin) H=170° (8,10&14Pin)
A=40° (2-14Pin) J=205° (8,10&14Pin)
B=60° (2-14Pin)
C=80° (2-14Pin)
- ⑤ Cable collet
3=φ3.9mm (Cableφ=2.7~3.9mm)
5=φ5.2mm (Cableφ=4.0~5.2mm)
6=φ6.5mm (Cableφ=5.3~6.5mm)



NOTE:

1. MATERIAL:
 - 1.1.OUTER SHELL: COPPER ALLOY, Cr PLATING
 - 1.2.INNER SHELL: THERMOPLASTIC,UL94V-0
 - 1.3.NUT: THERMOPLASTIC,UL94V-0
 - 1.4.CABLE COLLET: THERMOPLASTIC,UL94V-0
 - 1.5.INSERT: THERMOPLASTIC,UL94V-0
 - 1.6.CENTER CONTACT : COPPER ALLOY,Au PLATING
- 2.NUMBER OF CONTACT : 2 TO 14 POSITION
- 3.RoHS DIRECTIVE COMPLIANCE

THIRD ANGLE PROJECTION 		TOLERANCES UNLESS OTHERWISE SPECIFIED	
UNITS ■ mm □ INCH		0 PLC ± 1.00	
ANGLES 0 PLC ± 3		1 PLC ± 0.50	
1 PLC ± 2		2 PLC ± 0.25	
		3 PLC ±	
		4 PLC ±	

CIRCON[®]
Dongguan Circon Technology Co.,Ltd.

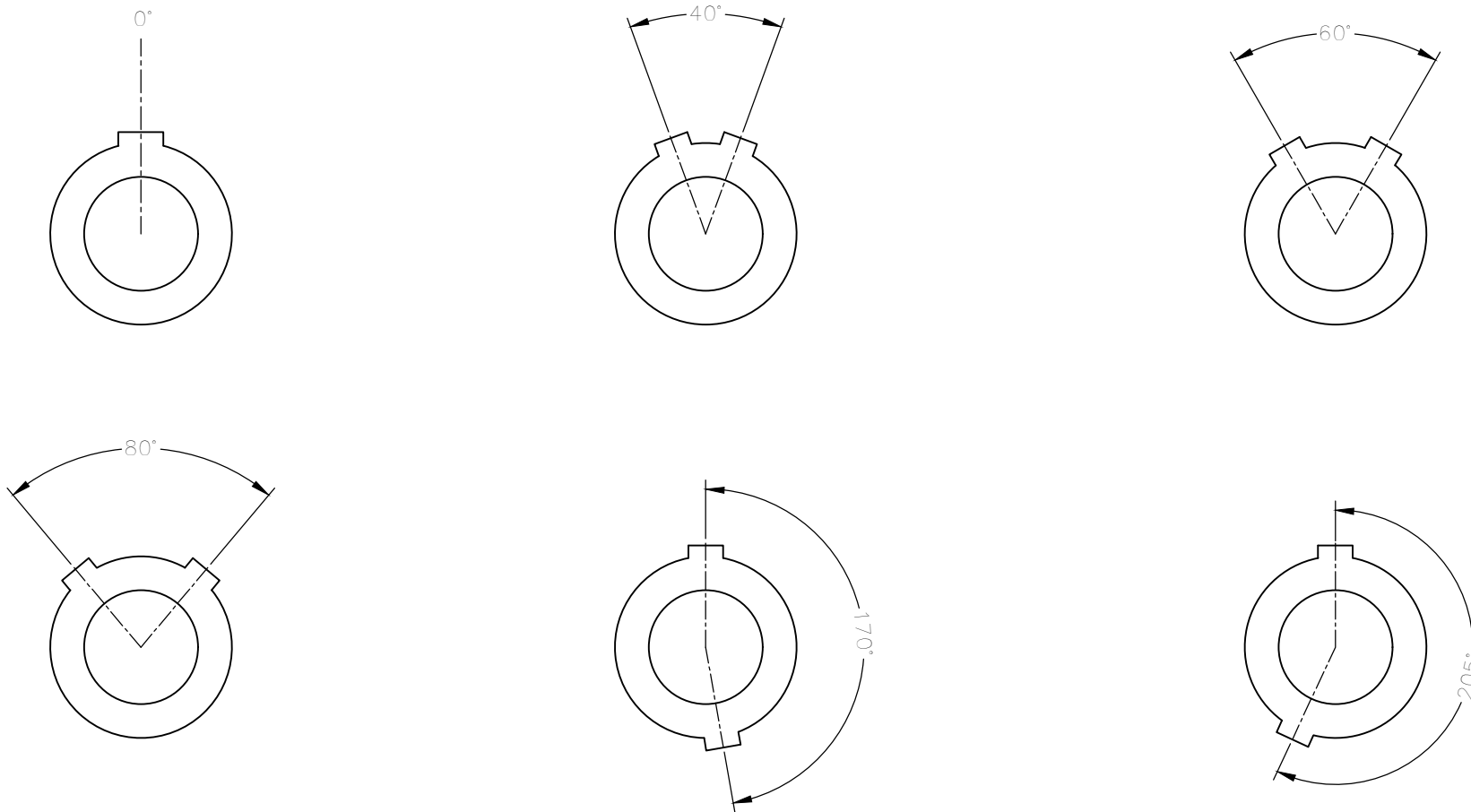
TITLE:
1H CIRCULAR CONNECTOR STRAIGHT PLUGS
Nut=Thermoplastic bend relief type


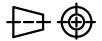
APPROVED BY	JACK	DATE	2019-4-18
CHECKED BY	CHARLES	DATE	2019-4-18

DRAWING NO.	A-M-070	REV.	A0
	PART NO.		1HAM1XXXXXB80

REV.	REVISION DESCRIPTION	ECR/ECN NO.	DATE	DRAWN BY	ANDY	DATE	2019-4-18	SIZE: A3	SCALE: 1:1	SHEET: 1 OF 2
------	----------------------	-------------	------	----------	------	------	-----------	----------	------------	---------------

KEYING (PLUG FRONT VIEW):



THIRD ANGLE PROJECTION		TOLERANCES UNLESS OTHERWISE SPECIFIED		 Dongguan Circon Technology Co.,Ltd.						
 UNITS ■ mm □ INCH ANGLES 0 PLC ± 3 1 PLC ± 2		0 PLC ± 1.00 1 PLC ± 0.50 2 PLC ± 0.25 3 PLC ± 4 PLC ±				TITLE: 1H CIRCULAR CONNECTOR STRAIGHT PLUGS Nut=Thermoplastic bend relief type				
APPROVED BY	JACK	DATE	2019-4-18	C	DRAWING NO.	A-M-070	REV.			
CHECKED BY	CHARLES	DATE	2019-4-18		PART NO.	1HAM1XXXXXXB80	A0			
REV.	REVISION DESCRIPTION	ECR/ECN NO.	DATE	DRAWN BY	ANDY	DATE	2019-4-18	SIZE: A3	SCALE: 1:1	SHEET: 2 OF 2