

OB METAL CIRCULAR ASSEMBLY P/N DESCRIPTION :

OB A M1 X X XX X XX A  
 ① ② ③ ④ ⑤

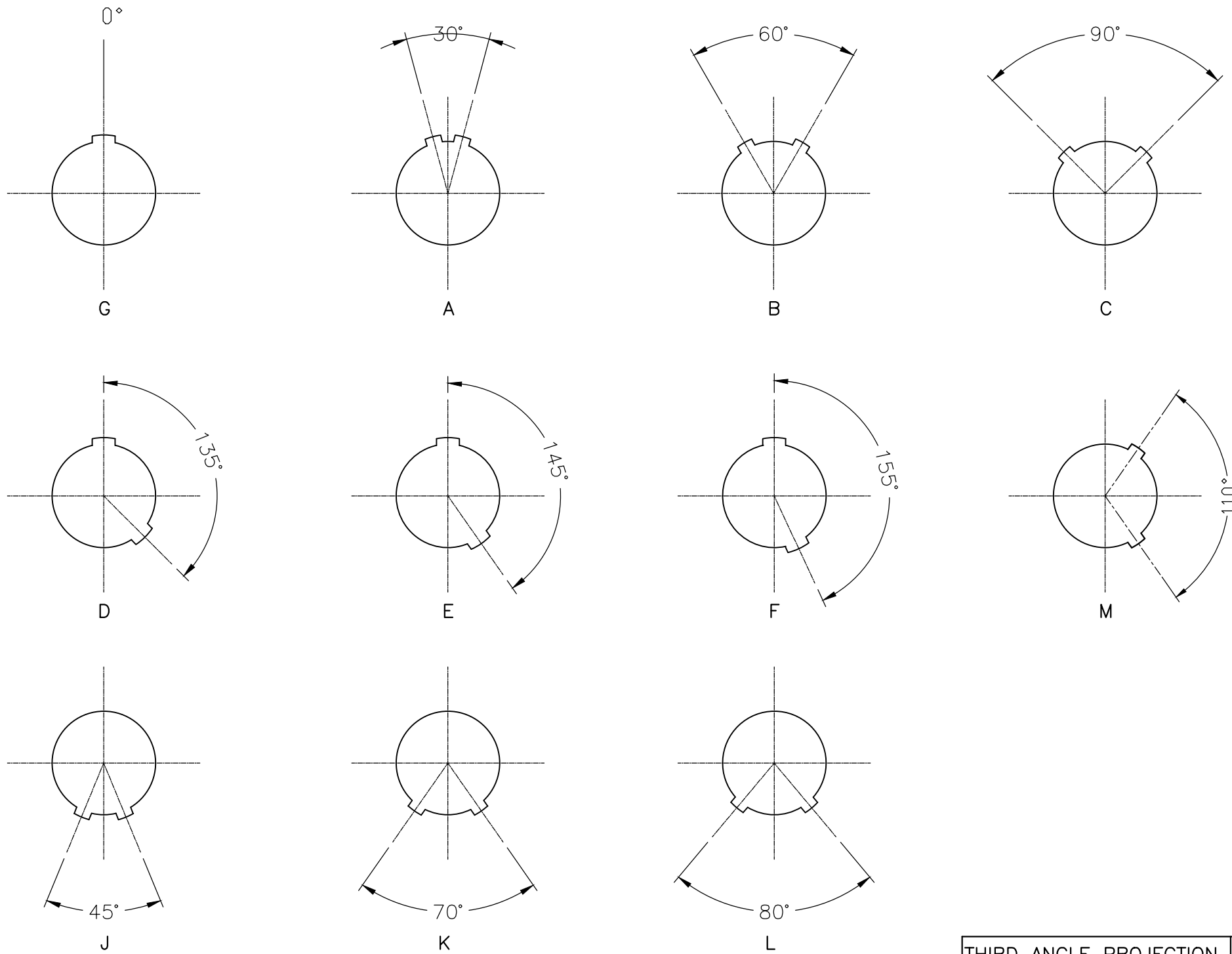
- ① Insert  
 P=PEEK  
 1=PPS
- ② Plating  
 2=High Gold  
 A=Gold flash
- ③ Number of contacts  
 02=2Pin  
 ⋮  
 09=9Pin
- ④ Keying  

G= 0°	D= 135°	K= 70°
A= 30°	E= 145°	L= 80°
B= 60°	F= 155°	M= 110°
C= 90°	J= 45°	
- ⑤ Cable collet  
 22=2.2mm (Cable $\phi$ 1.4~2.2mm)  
 32=3.2mm (Cable $\phi$ 2.2~3.2mm)  
 42=4.2mm (Cable $\phi$ 3.2~4.2mm)  
 52=5.2mm (Cable $\phi$ 4.2~5.2mm)  
 56=5.6mm (Cable $\phi$ 5.2~5.6mm)

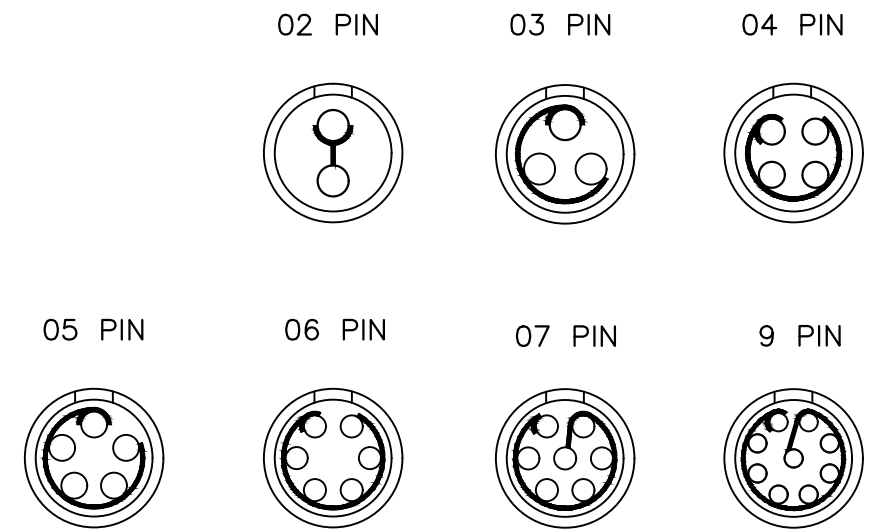
NOTE:  
 1. MATERIAL:  
 1.1.SHELL ASSEMBLY: COPPER ALLOY, OUTER SHELL AND COLLET NUT Cr PLATING,  
 OTHER METALLIC COMPONENTS Ni PLATING  
 1.2.INSERT: THERMOPLASTIC, UL94V-0  
 1.3.CENTER CONTACT : COPPER ALLOY, Au PLATING  
 2.NUMBER OF CONTACT : 2 TO 9 POSITION  
 3.RoHS DIRECTIVE COMPLIANCE

THIRD ANGLE PROJECTION 		TOLERANCES UNLESS OTHERWISE SPECIFIED		 <b>Dongguan Circon Technology Co.,Ltd.</b>						
UNITS <input checked="" type="checkbox"/> mm <input type="checkbox"/> INCH		0 PLC $\pm$ 1.00 1 PLC $\pm$ 0.50 2 PLC $\pm$ 0.25 3 PLC $\pm$ 4 PLC $\pm$					TITLE: OB METAL CIRCULAR CONNECTOR STRAIGHT PLUGS			
ANGLES 0 PLC $\pm$ 3 1 PLC $\pm$ 2		APPROVED BY	JACK	DATE	2017-9-28	C	DRAWING NO.	A-M-023	REV.	A1
		CHECKED BY	CHARLES	DATE	2017-9-28		PART NO.	OBAM1XXXXXXA		
REV.	REVISION DESCRIPTION	ECR/ECN NO.	DATE	DRAWN BY	ANDY	DATE	2017-9-28	SIZE: A3	SCALE: 1:1	SHEET: 1 OF 2

KEYING (PLUG FRONT VIEW):



VIEW FROM TERMINATION SIDE PIN PART



THIRD ANGLE PROJECTION 		TOLERANCES UNLESS OTHERWISE SPECIFIED	
UNITS <input checked="" type="checkbox"/> mm <input type="checkbox"/> INCH		0 PLC ± 1.00	
ANGLES 0 PLC ± 3		1 PLC ± 0.50	
1 PLC ± 2		2 PLC ± 0.25	
		3 PLC ±	
		4 PLC ±	

**CIRCON<sup>®</sup>**  
**Dongguan Circon Technology Co.,Ltd.**  
 TITLE: OB METAL CIRCULAR CONNECTOR STRAIGHT PLUGS

APPROVED BY	JACK	DATE	2017-9-28
CHECKED BY	CHARLES	DATE	2017-9-28
DRAWN BY	ANDY	DATE	2017-9-28

C	DRAWING NO.	A-M-023	REV.	A1
	PART NO.	OBAM1XXXXXXA		
SIZE: A3	SCALE: 1:1	SHEET: 2 OF 2		

REV.	REVISION DESCRIPTION	ECR/ECN NO.	DATE
------	----------------------	-------------	------