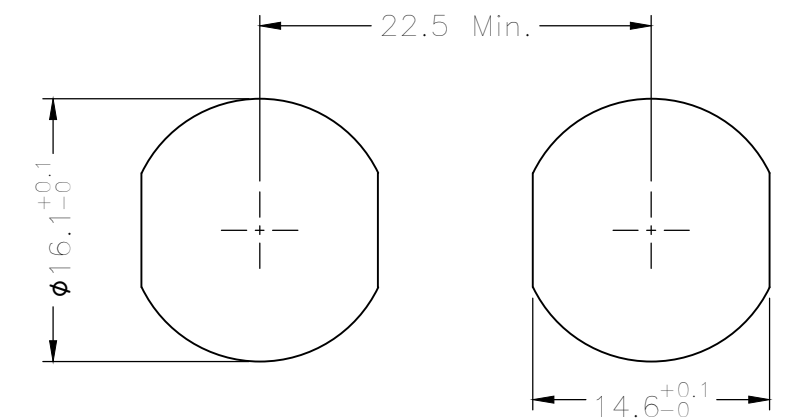


1K METAL CIRCULAR ASSEMBLY P/N DESCRIPTION :

1K A F2 X X XX X 00 C
 ① ② ③ ④

- ① Insert
 P=PEEK
 1=PPS
- ② Plating
 2=High Gold
 A=Gold flash
- ③ Number of contacts
 02=2Pin

 16=16Pin
- ④ Keying
 G= 0° D= 95°
 A= 30° E= 120°
 B= 45° F= 145°
 C= 60° L= 75°



PANEL CUT-OUT

NOTE:

1. MATERIAL:

1.1.SHELL ASSEMBLY: COPPER ALLOY, OUTER SHELL Cr PLATING,
 OTHER METALLIC COMPONENTS Ni PLATING

1.2.INSERT: THERMOPLASTIC, UL94V-0

1.3.CENTER CONTACT : COPPER ALLOY, Au PLATING

1.4.O-RING : ELASTOMER

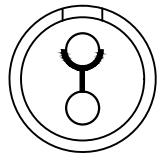
2.NUMBER OF CONTACT : 2 TO 16 POSITION

3.RoHS DIRECTIVE COMPLIANCE

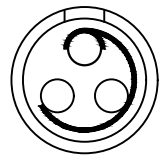
| | | | | | | | | | | |
|--|----------------------|--|---------|--|-----------|---|-------------|---------------|------------|---------------|
| THIRD ANGLE PROJECTION | | TOLERANCES UNLESS OTHERWISE SPECIFIED | | Dongguan Circon Technology Co.,Ltd. | | | | | | |
| UNITS <input checked="" type="checkbox"/> mm <input type="checkbox"/> INCH | | 0 PLC ± 1.00 1 PLC ± 0.50 2 PLC ± 0.25 3 PLC ± 4 PLC ± | | | | TITLE: 1K METAL CIRCULAR CONNECTOR FIXED SOCKETS | | | | |
| ANGLES 0 PLC ± 3 1 PLC ± 2 | | APPROVED BY | JACK | DATE | 2017-10-8 | C | DRAWING NO. | A-M-043 | REV. | AO |
| | | CHECKED BY | CHARLES | DATE | 2017-10-8 | | PART NO. | 1KAF2XXXXX00C | | |
| REV. | REVISION DESCRIPTION | ECR/ECN NO. | DATE | DRAWN BY | ANDY | DATE | 2017-10-8 | SIZE: A3 | SCALE: 1:1 | SHEET: 1 OF 2 |

VIEW FROM TERMINATION SIDE PIN PART

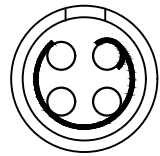
2 POS.



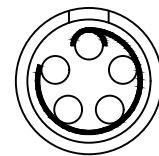
3 POS.



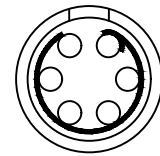
4 POS.



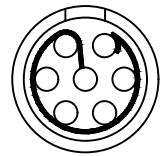
5 POS.



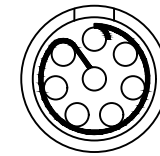
6 POS.



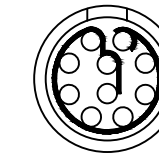
7 POS.



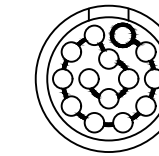
8 POS.



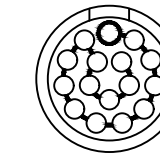
10 POS.



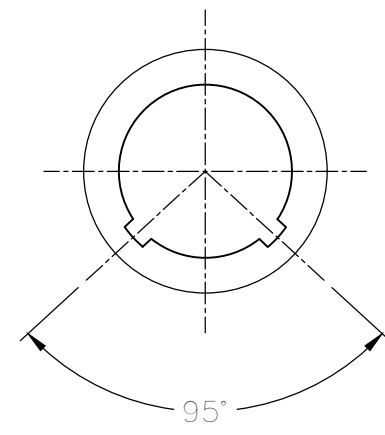
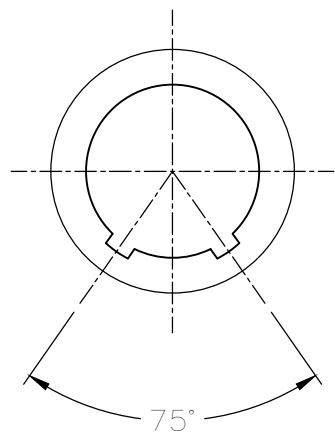
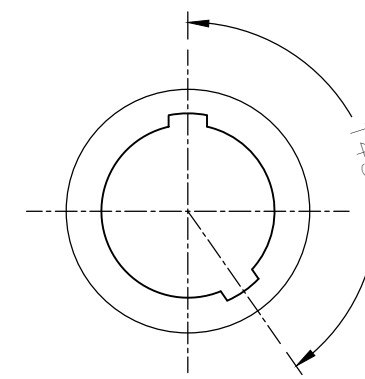
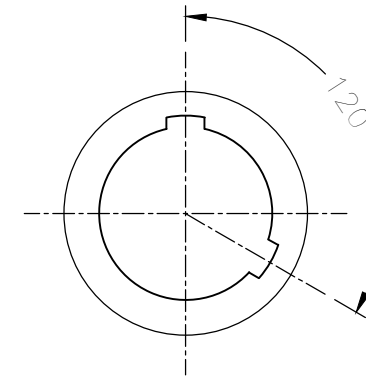
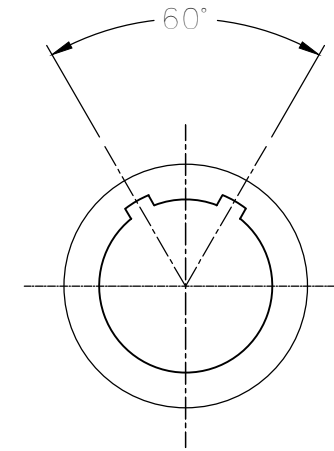
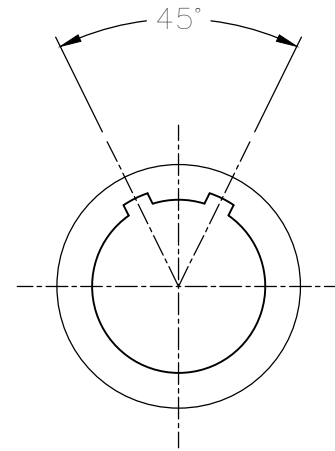
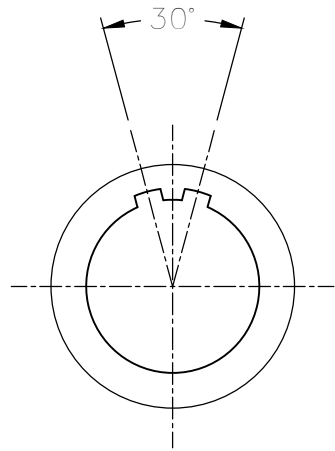
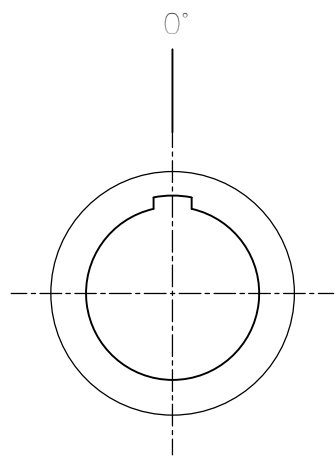
14 POS.



16 POS.



KEYING ANGLES (RECEPTACLE FRONT VIEW):



| | | | | | | | | | | |
|--|----------------------|--|---------|--|-----------|---|-------------|---------------|------------|---------------|
| THIRD ANGLE PROJECTION | | TOLERANCES UNLESS OTHERWISE SPECIFIED | | Dongguan Circon Technology Co.,Ltd. | | | | | | |
| UNITS <input checked="" type="checkbox"/> mm <input type="checkbox"/> INCH | | 0 PLC ± 1.00 1 PLC ± 0.50 2 PLC ± 0.25 3 PLC ± 4 PLC ± | | | | TITLE: 1K METAL CIRCULAR CONNECTOR FIXED SOCKETS | | | | |
| ANGLES 0 PLC ± 3 1 PLC ± 2 | | APPROVED BY | JACK | DATE | 2017-10-8 | C | DRAWING NO. | A-M-043 | REV. | A0 |
| | | CHECKED BY | CHARLES | DATE | 2017-10-8 | | PART NO. | 1KAF2XXXXX00C | | |
| REV. | REVISION DESCRIPTION | ECR/ECN NO. | DATE | DRAWN BY | ANDY | DATE | 2017-10-8 | SIZE: A3 | SCALE: 1:1 | SHEET: 2 OF 2 |