

1K METAL CIRCULAR ASSEMBLY P/N DESCRIPTION :

1K A S1 X X XX X XX B
 ① ② ③ ④ ⑤

- ① Insert
P=PEEK
1=PPS
- ② Plating
2=High Gold
A=Gold flash
- ③ Number of contacts
02=2Pin
...
16=16Pin
- ④ Keying
G=0° D=95°
A=30° E=120°
B=45° F=145°
C=60° L=75°
- ⑤ Cable collet
15=1.5mm (Cable∅1.3~1.5mm)
20=2.0mm (Cable∅1.6~2.0mm)
25=2.5mm (Cable∅2.1~2.5mm)
30=3.0mm (Cable∅2.6~3.0mm)
35=3.5mm (Cable∅3.1~3.5mm)
40=4.0mm (Cable∅3.6~4.0mm)
45=4.5mm (Cable∅4.1~4.5mm)
50=5.0mm (Cable∅4.6~5.0mm)
55=5.5mm (Cable∅5.1~5.5mm)
60=6.0mm (Cable∅5.6~6.0mm)
65=6.5mm (Cable∅6.1~6.5mm)

NOTE:
 1. MATERIAL:
 1.1.SHELL ASSEMBLY: COPPER ALLOY, OUTER SHELL AND COLLET NUT Cr PLATING,
 OTHER METALLIC COMPONENTS Ni PLATING
 1.2.INSERT: THERMOPLASTIC, UL94V-0
 1.3.CENTER CONTACT : COPPER ALLOY, Au PLATING
 1.4.O-RING : ELASTOMER
 2.NUMBER OF CONTACT : 2 TO 16 POSITION
 3.RoHS DIRECTIVE COMPLIANCE

THIRD ANGLE PROJECTION 		TOLERANCES UNLESS OTHERWISE SPECIFIED	
UNITS ■ mm □ INCH		0 PLC ± 1.00	
ANGLES 0 PLC ± 3		1 PLC ± 0.50	
1 PLC ± 2		2 PLC ± 0.25	
		3 PLC ±	
		4 PLC ±	

CIRCON[®]
Dongguan Circon Technology Co.,Ltd.

TITLE: 1K METAL CIRCULAR CONNECTOR
 FREE SOCKETS

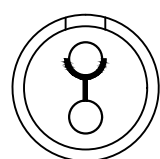
APPROVED BY	JACK	DATE	2018-10-8
CHECKED BY	CHARLES	DATE	2018-10-8

C	DRAWING NO.	A-M-059	REV.	A0
	PART NO.	1KAS1XXXXXXXXB		

REV.	REVISION DESCRIPTION	ECR/ECN NO.	DATE	DRAWN BY	ANDY	DATE	2018-10-8	SIZE: A3	SCALE: 1:1	SHEET: 1 OF 2
------	----------------------	-------------	------	----------	------	------	-----------	----------	------------	---------------

VIEW FROM TERMINATION SIDE PIN PART

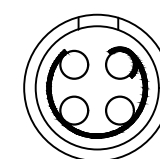
2 POS.



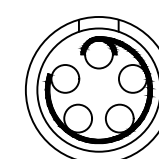
3 POS.



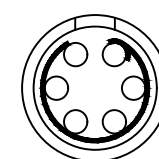
4 POS.



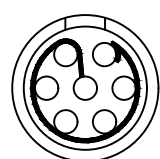
5 POS.



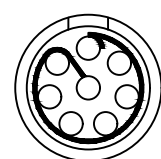
6 POS.



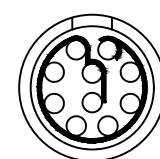
7 POS.



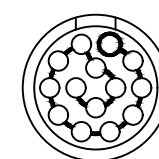
8 POS.



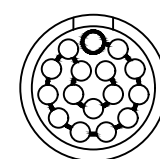
10 POS.



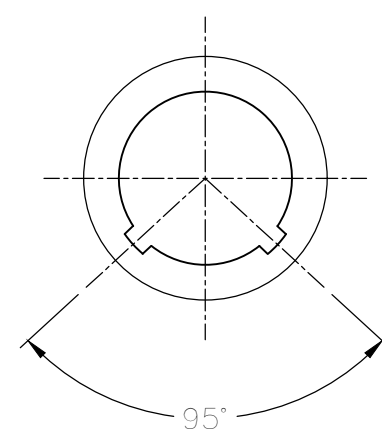
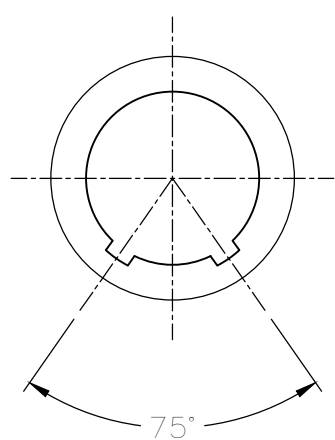
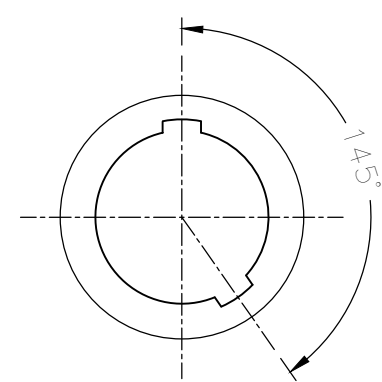
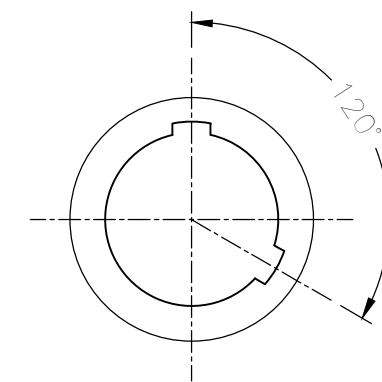
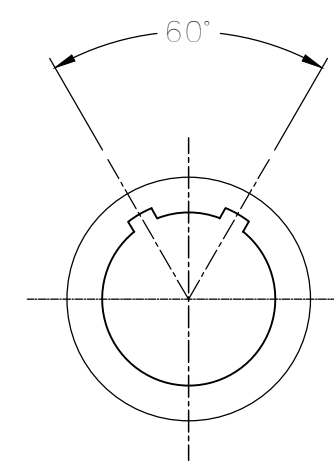
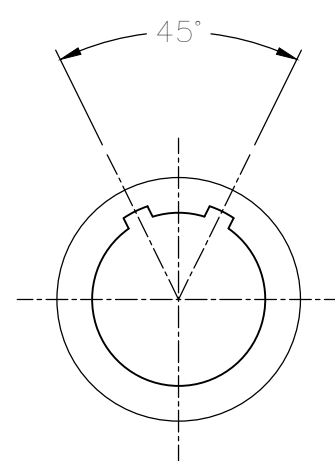
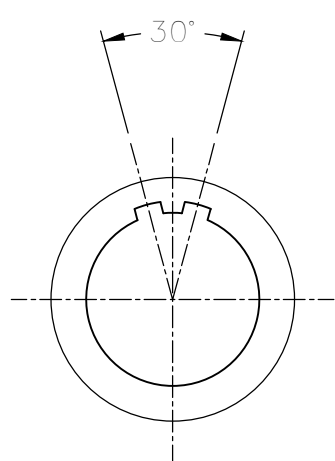
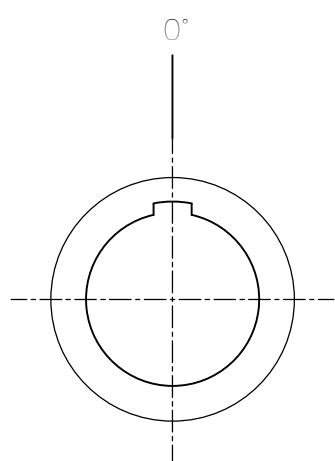
14 POS.


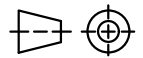


16 POS.



KEYING ANGLES (RECEPTACLE FRONT VIEW):



THIRD ANGLE PROJECTION		TOLERANCES UNLESS OTHERWISE SPECIFIED		 Dongguan Circon Technology Co.,Ltd.	
		0 PLC ± 1.00 1 PLC ± 0.50 2 PLC ± 0.25 3 PLC ± 4 PLC ±			
UNITS ■ mm □ INCH		APPROVED BY JACK		DATE 2018-10-8	
ANGLES 0 PLC ± 3 1 PLC ± 2		CHECKED BY CHARLES		DATE 2018-10-8	
DRAWN BY ANDY		DATE 2018-10-8		SIZE: A3 SCALE: 1:1 SHEET: 2 OF 2	

REV.	REVISION DESCRIPTION	ECR/ECN NO.	DATE