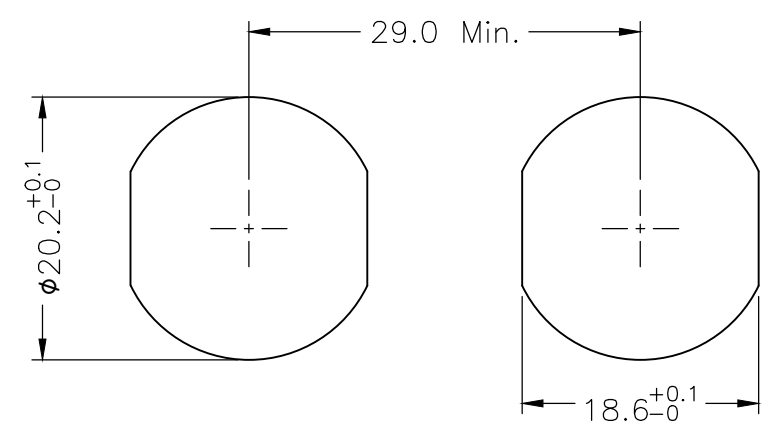


2K METAL CIRCULAR ASSEMBLY P/N DESCRIPTION :

2K A F2 X X XX X 00 C
 ① ② ③ ④

- ① Insert
 P=PEEK
 1=PPS
- ② Plating
 2=High Gold
 A=Gold flash
- ③ Number of contacts
 02=2Pin
 ...
 32=32Pin
- ④ Keying
 G= 0° D= 95°
 A= 30° E=120°
 B= 45° F=145°
 C= 60° L= 75°



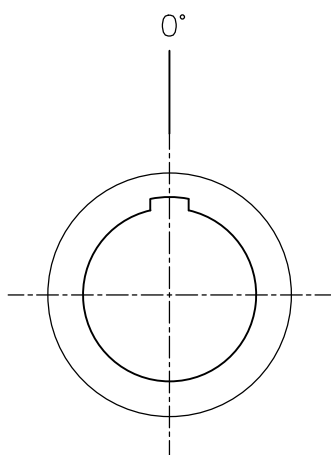
PANEL CUT-OUT

NOTE:
 1. MATERIAL:
 1.1.SHELL ASSEMBLY: COPPER ALLOY, OUTER SHELL Cr PLATING,
 OTHER METALLIC COMPONENTS Ni PLATING
 1.2.INSERT: THERMOPLASTIC, UL94V-0
 1.3.CENTER CONTACT : COPPER ALLOY, Au PLATING
 1.4.O-RING : ELASTOMER
 2.NUMBER OF CONTACT : 2 TO 32 POSITION
 3.RoHS DIRECTIVE COMPLIANCE

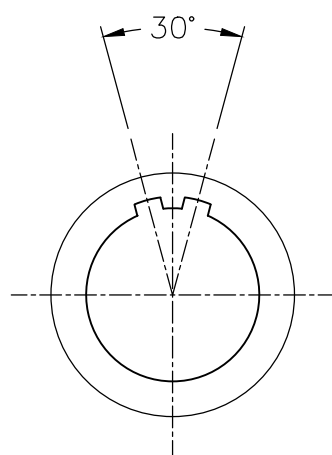
THIRD ANGLE PROJECTION 		TOLERANCES UNLESS OTHERWISE SPECIFIED		 Dongguan Circon Technology Co.,Ltd.	
UNITS <input checked="" type="checkbox"/> mm <input type="checkbox"/> INCH		0 PLC ± 1.00 1 PLC ± 0.50 2 PLC ± 0.25 3 PLC ± 4 PLC ±			
ANGLES 0 PLC ± 3 1 PLC ± 2		APPROVED BY JACK DATE 2018-8-28 CHECKED BY CHARLES DATE 2018-8-28 DRAWN BY ANDY DATE 2018-8-28		TITLE: 2K METAL CIRCULAR CONNECTOR FIXED SOCKETS	
REV.		REVISION DESCRIPTION		ECR/ECN NO.	
DATE		DRAWN BY		DATE	
DRAWING NO. A-M-057		PART NO. 2KAF2XXXXX00C		REV. A0	
SIZE: A3		SCALE: 1:1		SHEET: 1 OF 3	

8	7	6	5	4	3	2	1
---	---	---	---	---	---	---	---

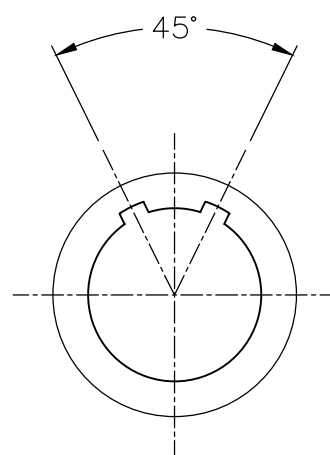
KEYING ANGLES (RECEPTACLE FRONT VIEW):



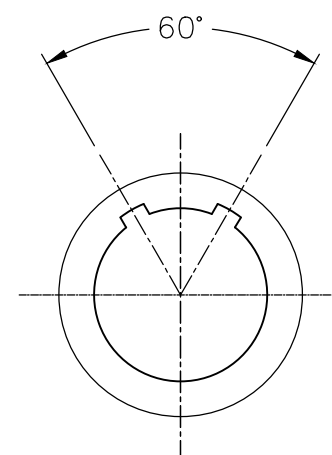
G



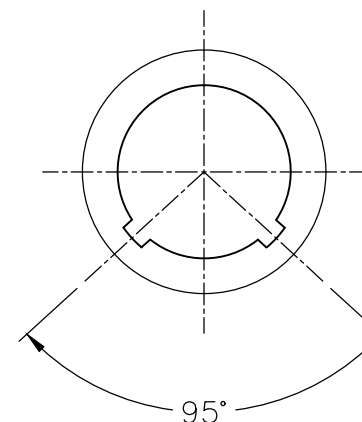
A



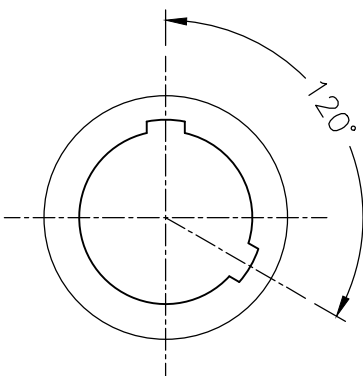
B



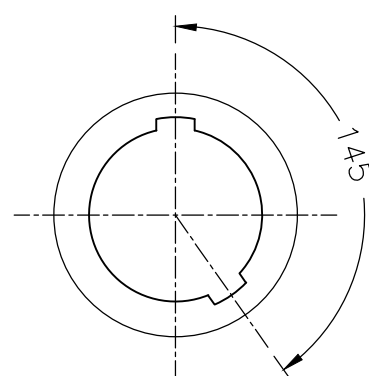
C



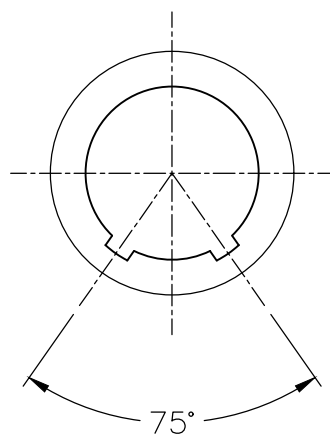
D



E



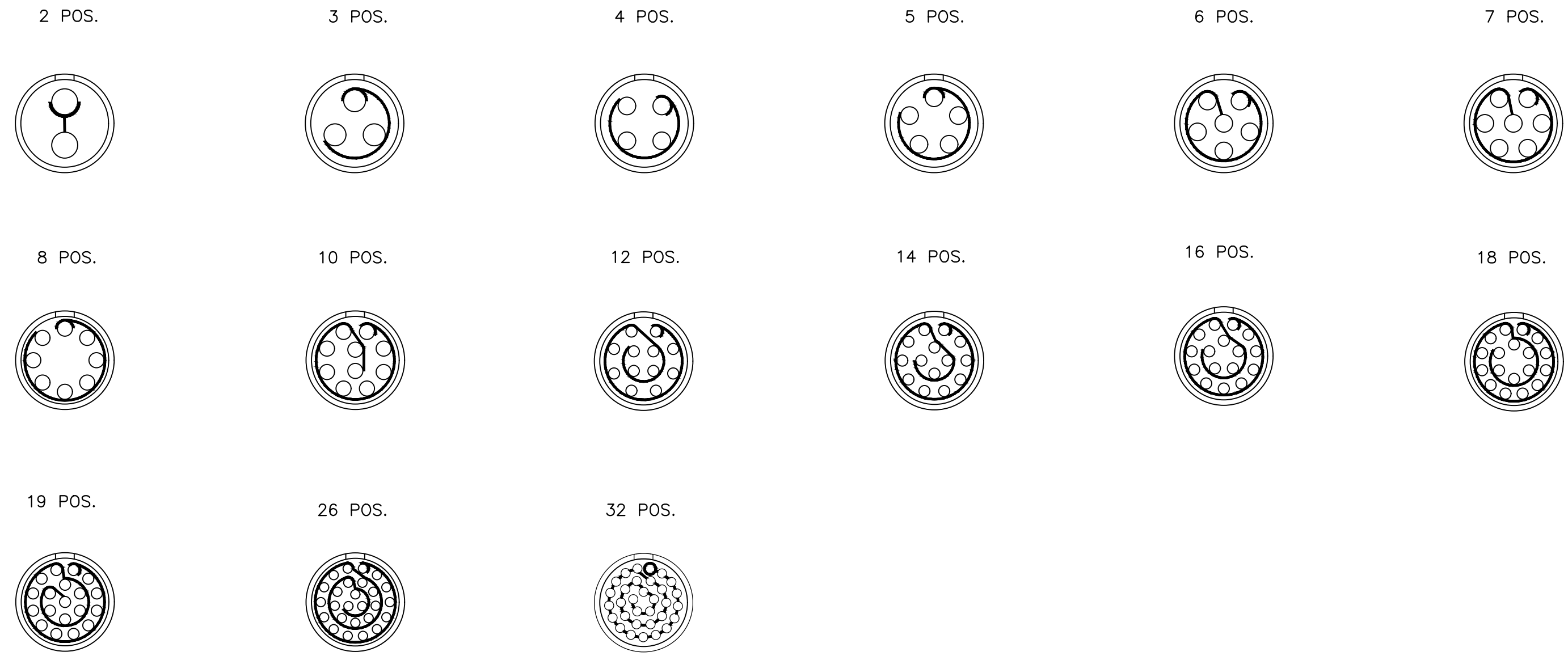
F



L

THIRD ANGLE PROJECTION 		TOLERANCES UNLESS OTHERWISE SPECIFIED		 Dongguan Circon Technology Co.,Ltd.						
UNITS <input checked="" type="checkbox"/> mm <input type="checkbox"/> INCH		0 PLC ± 1.00 1 PLC ± 0.50 2 PLC ± 0.25 3 PLC ± 4 PLC ±					TITLE: 2K METAL CIRCULAR CONNECTOR FIXED SOCKETS			
ANGLES 0 PLC ± 3 1 PLC ± 2		APPROVED BY	JACK	DATE	2018-8-28	C	DRAWING NO.	A-M-057	REV.	A0
		CHECKED BY	CHARLES	DATE	2018-8-28		PART NO.	2KAF2XXXXX00C		
REV.	REVISION DESCRIPTION	ECR/ECN NO.	DATE	DRAWN BY	ANDY	DATE	2018-8-28	SIZE: A3	SCALE: 1:1	SHEET: 2 OF 3

VIEW FROM TERMINATION SIDE PIN PART



THIRD ANGLE PROJECTION 		TOLERANCES UNLESS OTHERWISE SPECIFIED		 Dongguan Circon Technology Co.,Ltd.						
UNITS <input checked="" type="checkbox"/> mm <input type="checkbox"/> INCH		0 PLC ± 1.00 1 PLC ± 0.50 2 PLC ± 0.25 3 PLC ± 4 PLC ±					TITLE: 2K METAL CIRCULAR CONNECTOR FIXED SOCKETS			
ANGLES 0 PLC ± 3 1 PLC ± 2		APPROVED BY	JACK	DATE	2018-8-28	C	DRAWING NO.	A-M-057	REV.	A0
		CHECKED BY	CHARLES	DATE	2018-8-28		PART NO.	2KAF2XXXXX00C		
		DRAWN BY	ANDY	DATE	2018-8-28	SIZE: A3	SCALE: 1:1	SHEET: 3 OF 3		

REV.	REVISION DESCRIPTION	ECR/ECN NO.	DATE