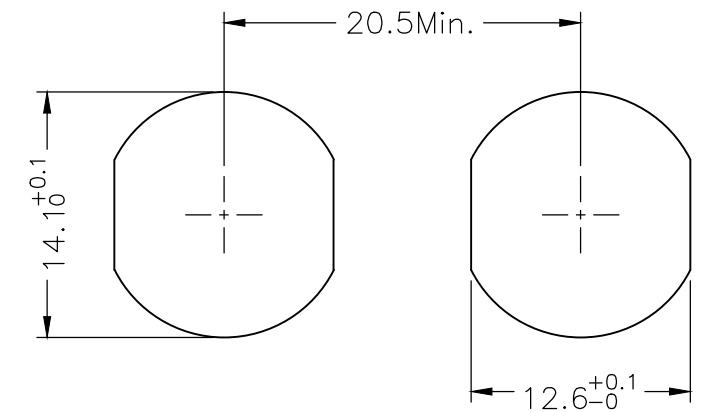


OK METAL CIRCULAR ASSEMBLY P/N DESCRIPTION :

OK A F2 X X XX X 00 C
 ① ② ③ ④

- ① Insert
 P=PEEK
 1=PPS
- ② Plating
 2=High Gold
 A=Gold flash
- ③ Number of contacts
 02=2Pin
 ...
 09=9Pin
- ④ Keying
 G= 0° D= 95°
 A= 30° E= 120°
 B= 45° F= 145°
 C= 60° L= 75°



PANEL CUT-OUT

NOTE:

1. MATERIAL:

1.1.SHELL ASSEMBLY: COPPER ALLOY, OUTER SHELL Cr PLATING,
 OTHER METALLIC COMPONENTS Ni PLATING

1.2.INSERT: THERMOPLASTIC, UL94V-0

1.3.CENTER CONTACT : COPPER ALLOY, Au PLATING

1.4.O-RING : ELASTOMER

2.NUMBER OF CONTACT : 2 TO 9 POSITION

3.RoHS DIRECTIVE COMPLIANCE

THIRD ANGLE PROJECTION 		TOLERANCES UNLESS OTHERWISE SPECIFIED	
UNITS <input checked="" type="checkbox"/> mm <input type="checkbox"/> INCH		0 PLC ± 1.00	
ANGLES 0 PLC ± 3		1 PLC ± 0.50	
1 PLC ± 2		2 PLC ± 0.25	
		3 PLC ±	
		4 PLC ±	

CIRCON[®]
Dongguan Circon Technology Co.,Ltd.

TITLE: OK METAL CIRCULAR CONNECTOR
 FIXED SOCKETS

APPROVED BY	JACK	DATE	2019-1-16
CHECKED BY	CHARLES	DATE	2019-1-16
DRAWN BY	ANDY	DATE	2019-1-16

C	DRAWING NO.	A-M-047	REV.	A0
	PART NO.	OKAF2XXXXX00C		
SIZE: A3		SCALE: 1:1	SHEET: 1 OF 2	

REV.	REVISION DESCRIPTION	ECR/ECN NO.	DATE
------	----------------------	-------------	------

8 7 6 5 4 3 2 1

VIEW FROM TERMINATION SIDE PIN PART

2 POS.

3 POS.

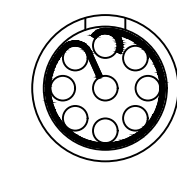
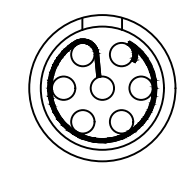
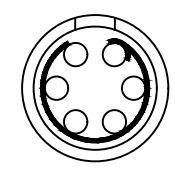
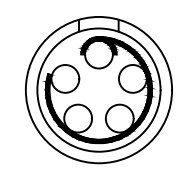
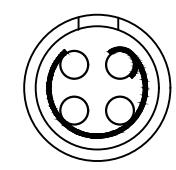
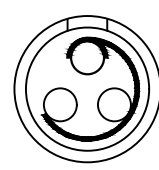
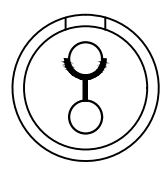
4 POS.

5 POS.

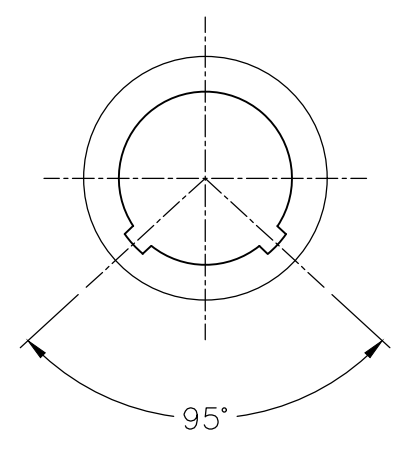
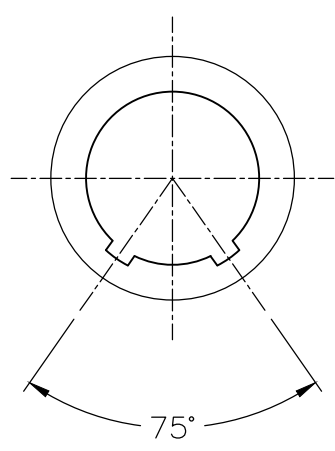
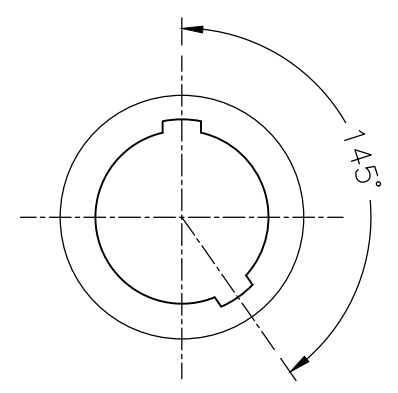
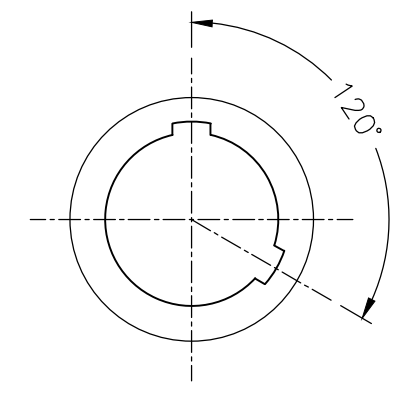
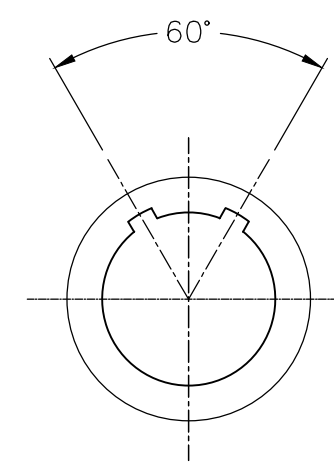
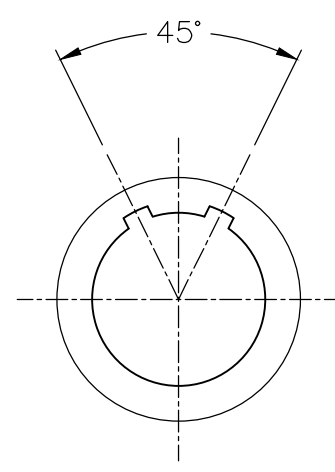
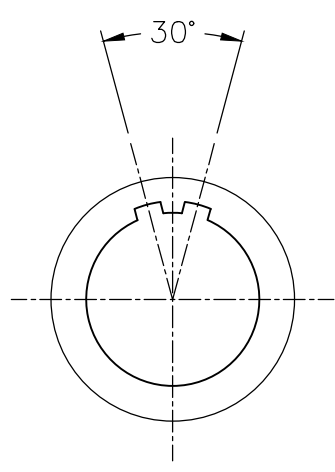
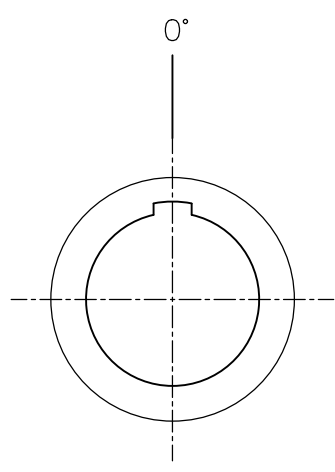
6 POS.

7 POS.

9 POS.



KEYING ANGLES (RECEPTACLE FRONT VIEW):



THIRD ANGLE PROJECTION		TOLERANCES UNLESS OTHERWISE SPECIFIED	
UNITS <input checked="" type="checkbox"/> mm <input type="checkbox"/> INCH		0 PLC ± 1.00	
ANGLES 0 PLC ± 3		1 PLC ± 0.50	
1 PLC ± 2		2 PLC ± 0.25	
		3 PLC ±	
		4 PLC ±	

CIRCON[®]
 Dongguan Circon Technology Co.,Ltd.

TITLE: OK METAL CIRCULAR CONNECTOR
 FIXED SOCKETS

APPROVED BY	JACK	DATE	2019-1-16
CHECKED BY	CHARLES	DATE	2019-1-16
DRAWN BY	ANDY	DATE	2019-1-16

C	DRAWING NO.	A-M-047	REV.	A0
	PART NO.	OKAF2XXXXX00C		
SIZE: A3		SCALE: 1:1	SHEET: 2 OF 2	

REV.	REVISION DESCRIPTION	ECR/ECN NO.	DATE

8 7 6 5 4 3 2 1