

OK METAL CIRCULAR ASSEMBLY P/N DESCRIPTION :

OK A M1 X X XX X XX B  
 ① ② ③ ④ ⑤

- ① Insert  
P=PEEK  
1=PPS
- ② Plating  
2=High Gold  
A=Gold flash
- ③ Number of contacts  
02=2Pin  
⋮  
16=16Pin
- ④ Keying  
G= 0°     D= 95°  
A= 30°     E=120°  
B= 45°     F=145°  
C= 60°     L= 75°
- ⑤ Cable collet  
10=1.0mm (Cableø1.0~1.2mm)  
15=1.5mm (Cableø1.3~1.5mm)  
20=2.0mm (Cableø1.6~2.0mm)  
25=2.5mm (Cableø2.1~2.5mm)  
30=3.0mm (Cableø2.6~3.0mm)  
35=3.5mm (Cableø3.1~3.5mm)  
40=4.0mm (Cableø3.6~4.0mm)  
45=4.5mm (Cableø4.1~4.5mm)  
50=5.0mm (Cableø4.6~5.0mm)

NOTE:

1. MATERIAL:

1.1.SHELL ASSEMBLY: COPPER ALLOY, OUTER SHELL AND COLLET NUT Cr PLATING,  
OTHER METALLIC COMPONENTS Ni PLATING

1.2.INSERT: THERMOPLASTIC, UL94V-0

1.3.CENTER CONTACT : COPPER ALLOY, Au PLATING

1.4.GASKET : ELASTOMER

2.NUMBER OF CONTACT : 2 TO 9 POSITION

3.RoHS DIRECTIVE COMPLIANCE

THIRD ANGLE PROJECTION 		TOLERANCES UNLESS OTHERWISE SPECIFIED	
UNITS    ■ mm    □ INCH		0 PLC ± 1.00	
ANGLES    0 PLC ± 3		1 PLC ± 0.50	
1 PLC ± 2		2 PLC ± 0.25	
		3 PLC ±	
		4 PLC ±	

**CIRCON<sup>®</sup>**  
**Dongguan Circon Technology Co.,Ltd.**

TITLE: OK METAL CIRCULAR CONNECTOR STRAIGHT PLUGS

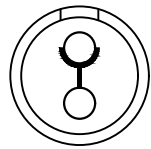
APPROVED BY	JACK	DATE	2019-1-18
CHECKED BY	CHARLES	DATE	2019-1-18
DRAWN BY	ANDY	DATE	2019-1-18

C	DRAWING NO.	A-M-083	REV.	A0	
	PART NO.	OKAM1XXXXXXB			
SIZE:	A3	SCALE:	1:1	SHEET:	1 OF 2

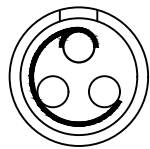
REV.	REVISION DESCRIPTION	ECR/ECN NO.	DATE
------	----------------------	-------------	------

VIEW FROM TERMINATION SIDE PIN PART

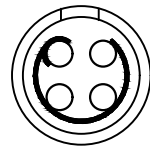
2 POS.



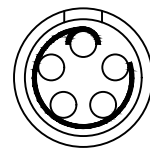
3 POS.



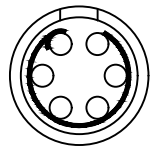
4 POS.



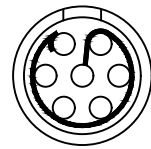
5 POS.



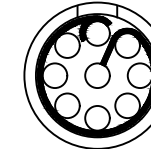
6 POS.



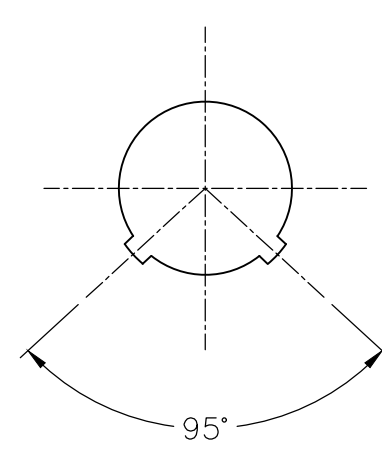
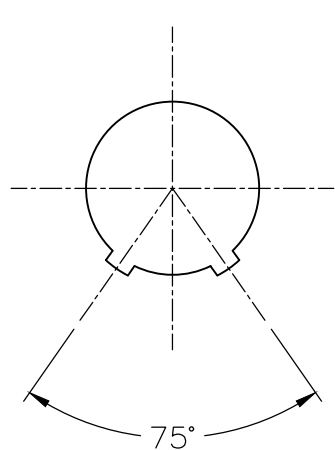
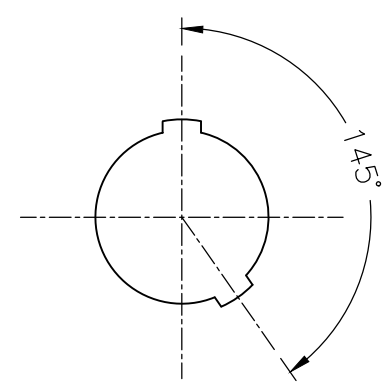
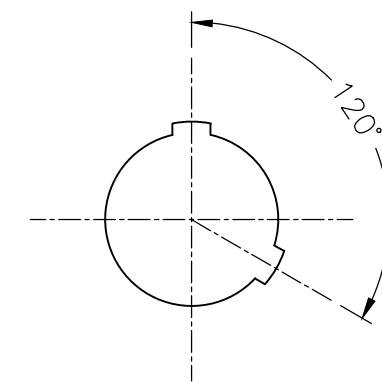
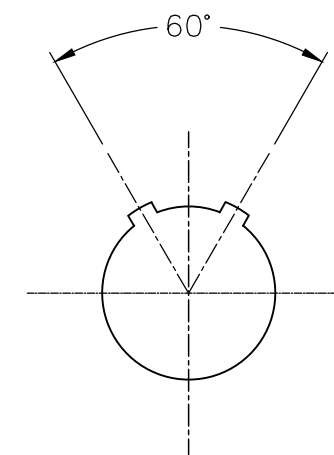
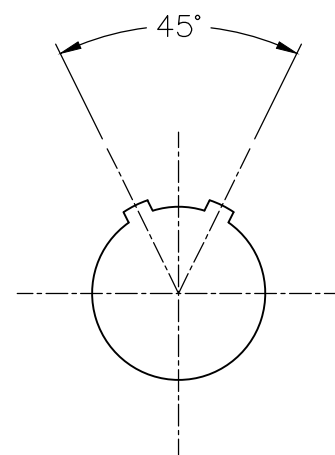
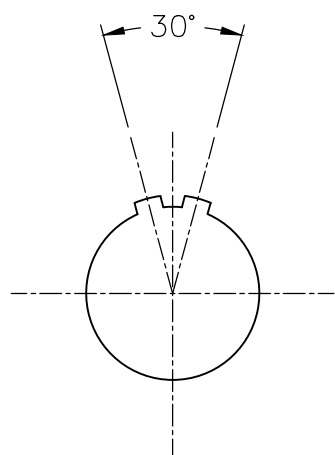
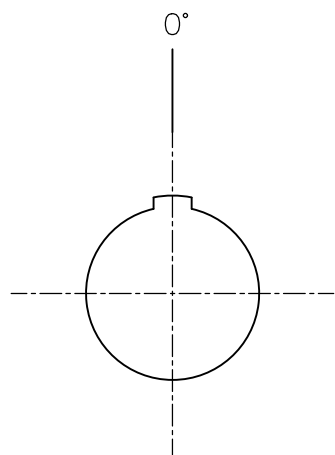
7 POS.



9 POS.



KEYING (PLUG FRONT VIEW):



THIRD ANGLE PROJECTION		TOLERANCES UNLESS OTHERWISE SPECIFIED	
		0 PLC ± 1.00 1 PLC ± 0.50 2 PLC ± 0.25 3 PLC ± 4 PLC ±	
UNITS ■ mm □ INCH		APPROVED BY JACK DATE 2019-1-18	
ANGLES 0 PLC ± 3 1 PLC ± 2		CHECKED BY CHARLES DATE 2019-1-18	
DRAWN BY ANDY DATE 2019-1-18		DATE 2019-1-18	

**CIRCON<sup>®</sup>**  
 Dongguan Circon Technology Co.,Ltd.

TITLE: OK METAL CIRCULAR CONNECTOR STRAIGHT PLUGS

REV.	REVISION DESCRIPTION	ECR/ECN NO.	DATE	DRAWN BY	ANDY	DATE	2019-1-18	C	DRAWING NO.	A-M-083	REV.	A0
				CHECKED BY	CHARLES	DATE	2019-1-18		PART NO.	OKAM1XXXXXXB		
SIZE: A3		SCALE: 1:1		SHEET: 2 OF 2								