

OK METAL CIRCULAR ASSEMBLY P/N DESCRIPTION :

OK A S1 X X XX X XX B  
 ① ② ③ ④ ⑤

- ① Insert  
 P=PEEK  
 1=PPS
- ② Plating  
 2=High Gold  
 A=Gold flash
- ③ Number of contacts  
 02=2Pin  
 ...  
 09=9Pin
- ④ Keying  
 G= 0°      D= 95°  
 A= 30°     E= 120°  
 B= 45°     F= 145°  
 C= 60°     L= 75°
- ⑤ Cable collet  
 10=1.0mm (Cable $\phi$ 1.0~1.2mm)  
 15=1.5mm (Cable $\phi$ 1.3~1.5mm)  
 20=2.0mm (Cable $\phi$ 1.6~2.0mm)  
 25=2.5mm (Cable $\phi$ 2.1~2.5mm)  
 30=3.0mm (Cable $\phi$ 2.6~3.0mm)  
 35=3.5mm (Cable $\phi$ 3.1~3.5mm)  
 40=4.0mm (Cable $\phi$ 3.6~4.0mm)  
 45=4.5mm (Cable $\phi$ 4.1~4.5mm)  
 50=5.0mm (Cable $\phi$ 4.6~5.0mm)

NOTE:  
 1. MATERIAL:  
 1.1.SHELL ASSEMBLY: COPPER ALLOY,OUTER SHELL Cr PLATING,  
 OTHER METALLIC COMPONENTS Ni PLATING  
 1.2.INSERT: THERMOPLASTIC,UL94V-0  
 1.3.CENTER CONTACT : COPPER ALLOY,Au PLATING  
 1.4.O-RING : ELASTOMER  
 2.NUMBER OF CONTACT : 2 TO 9 POSITION  
 3.RoHS DIRECTIVE COMPLIANCE

THIRD ANGLE PROJECTION 	TOLERANCES UNLESS OTHERWISE SPECIFIED
UNITS <input checked="" type="checkbox"/> mm <input type="checkbox"/> INCH	0 PLC $\pm$ 1.00 1 PLC $\pm$ 0.50 2 PLC $\pm$ 0.25
ANGLES 0 PLC $\pm$ 3 1 PLC $\pm$ 2	3 PLC $\pm$ 4 PLC $\pm$

**CIRCON<sup>®</sup>**  
 Dongguan Circon Technology Co.,Ltd.

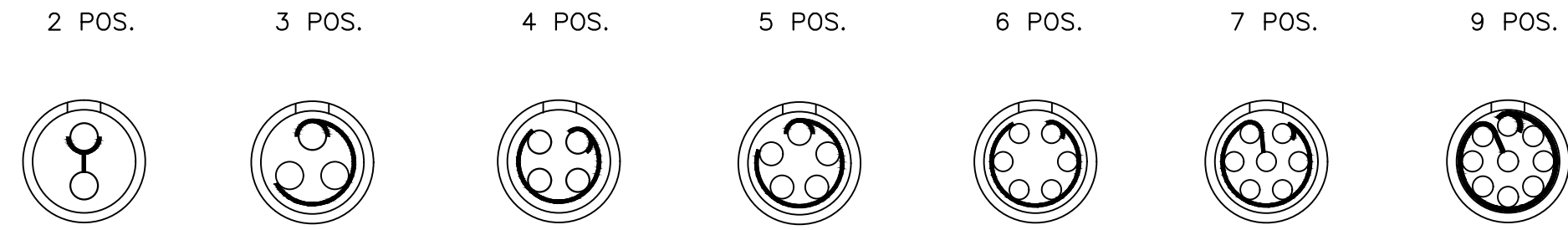
TITLE: OK METAL CIRCULAR CONNECTOR  
 FREE SOCKETS

APPROVED BY	JACK	DATE	2019-1-8
CHECKED BY	CHARLES	DATE	2019-1-8
DRAWN BY	ANDY	DATE	2019-1-8

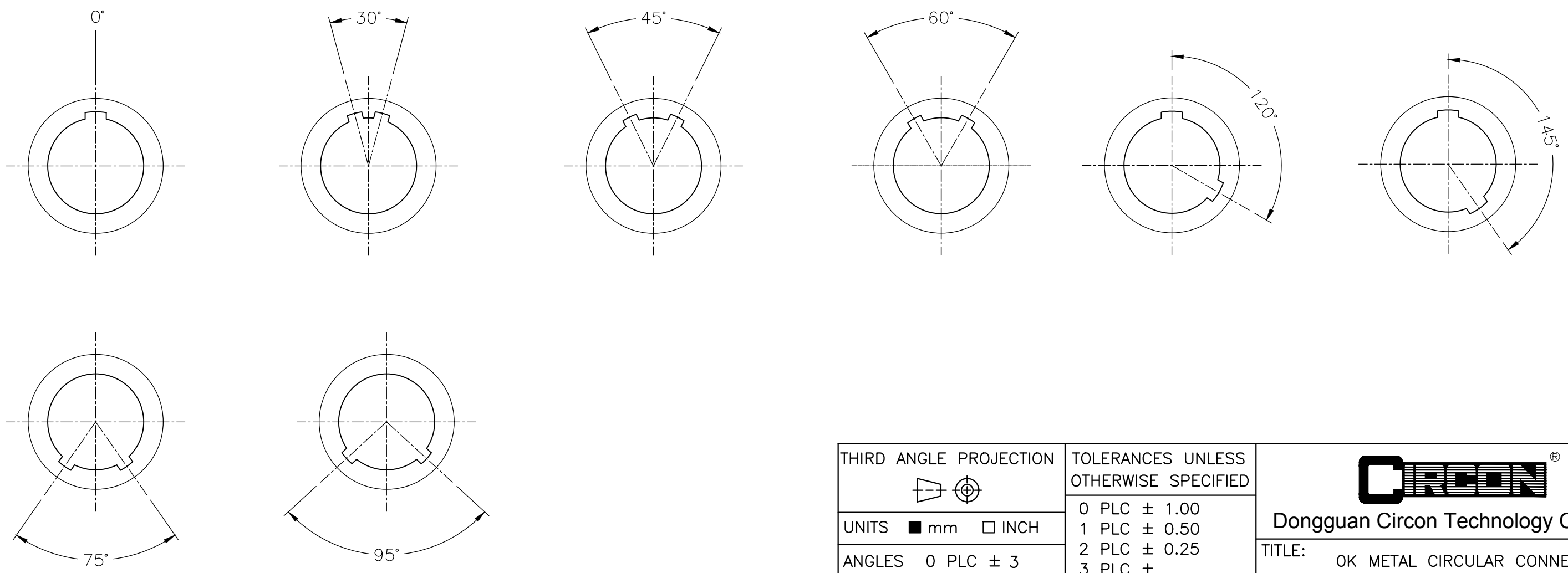
C	DRAWING NO.	A-M-085	REV.	A0
	PART NO.	OKAS1XXXXXXXXB		
SIZE: A3	SCALE: 1:1	SHEET: 1 OF 2		

REV.	REVISION DESCRIPTION	ECR/ECN NO.	DATE

VIEW FROM TERMINATION SIDE PIN PART



KEYING ANGLES (RECEPTACLE FRONT VIEW):



THIRD ANGLE PROJECTION 		TOLERANCES UNLESS OTHERWISE SPECIFIED		 Dongguan Circon Technology Co.,Ltd.	
UNITS <input checked="" type="checkbox"/> mm <input type="checkbox"/> INCH		0 PLC ± 1.00 1 PLC ± 0.50 2 PLC ± 0.25 3 PLC ± 4 PLC ±			
ANGLES 0 PLC ± 3 1 PLC ± 2		TITLE: OK METAL CIRCULAR CONNECTOR FREE SOCKETS			

APPROVED BY	JACK	DATE	2019-1-8	C	DRAWING NO.	A-M-085	REV.	A0
CHECKED BY	CHARLES	DATE	2019-1-8		PART NO.	OKAS1XXXXXXB		

REV.	REVISION DESCRIPTION	ECR/ECN NO.	DATE	DRAWN BY	ANDY	DATE	2019-1-8	SIZE: A3	SCALE: 1:1	SHEET: 2 OF 2
------	----------------------	-------------	------	----------	------	------	----------	----------	------------	---------------