

2P CIRCULAR ASSEMBLY P/N DESCRIPTION :

2P X M1 X X XX X X B X X  
 ① ② ③ ④ ⑤ ⑥ ⑦ ⑧

① Type

- A=Shell:PSU Grey
- B=Shell:PSU Black
- C=Shell:PEI Grey
- D=Shell:PEI Black
- E=Shell:PPSU Grey
- F=Shell:PPSU Black
- 1=Shell:ABS Grey
- 2=Shell:ABS Black

② Insert

- P=PEEK
- S=PPS

③ Plating

- 2=High Gold
- A=Gold flash

④ Number of contacts

- 02=2Pin
- ⋮
- ⋮
- 34=34Pin

⑤ Keying

- B=0°+60° H=0°+80°
- C=0°+100° J=0°+90°
- D=0°+110°

⑥ Cable collet

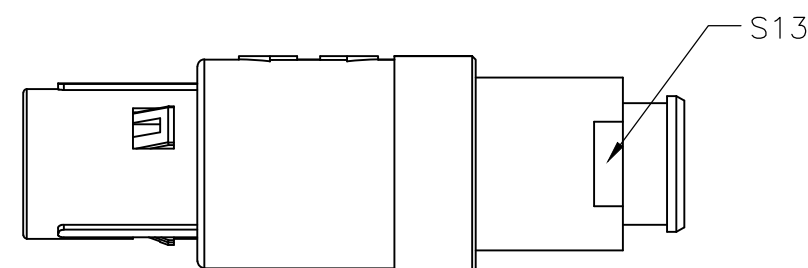
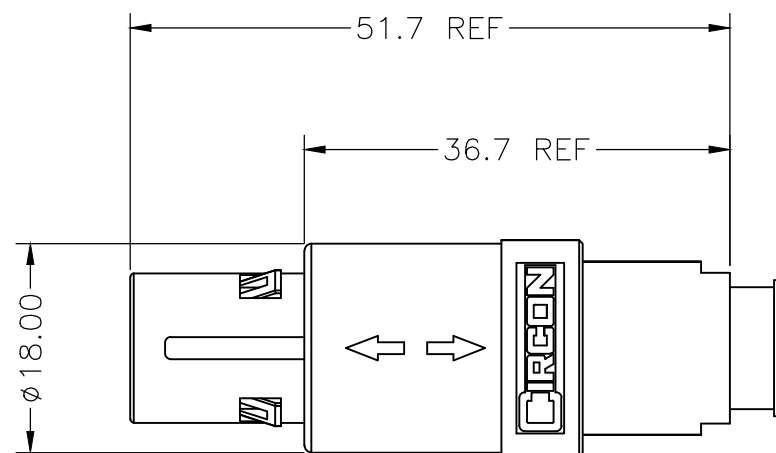
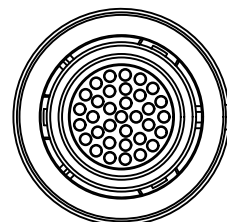
- 5=∅5.2mm (Cable∅=3.2~5.2mm)
- 7=∅7.2mm (Cable∅=5.3~7.2mm)
- 9=∅9.2mm (Cable∅=7.3~9.2mm)

⑦ Nut Colour

- 8=Grey (Keep in line with shell)
- 0=Black (Keep in line with shell)

⑧ Logo

- 0= No Logo A= No Logo&With Ink mark
- 1= With Logo B= With Logo&With Ink mark



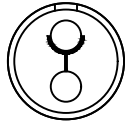
NOTE:

1. MATERIAL:
  - 1.1.SHELL: THERMOPLASTIC,UL94V-0
  - 1.2.INSERT: THERMOPLASTIC,UL94V-0
  - 1.3.CENTER CONTACT : COPPER ALLOY,Au PLATING
- 2.NUMBER OF CONTACT : 2 TO 34 POSITION
- 3.RoHS DIRECTIVE COMPLIANCE

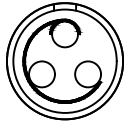
THIRD ANGLE PROJECTION 		TOLERANCES UNLESS OTHERWISE SPECIFIED		 Dongguan Circon Technology Co.,Ltd.						
UNITS <input checked="" type="checkbox"/> mm <input type="checkbox"/> INCH		0 PLC ± 1.00 1 PLC ± 0.50 2 PLC ± 0.25 3 PLC ± 4 PLC ±					TITLE: 2P CIRCULAR CONNECTOR STRAIGHT PLUGS Nut=For fitting a bend relief type-IP50			
ANGLES 0 PLC ± 3 1 PLC ± 2		APPROVED BY	JACK	DATE	2020-2-18	C	DRAWING NO.	A-M-116	REV.	A0
		CHECKED BY	CHARLES	DATE	2020-2-18		PART NO.	2PXM1XXXXXXBXX		
REV.	REVISION DESCRIPTION	ECR/ECN NO.	DATE	DRAWN BY	ANDY	DATE	2020-2-18	SIZE: A3	SCALE: 1:1	SHEET: 1 OF 2

VIEW FROM TERMINATION SIDE PIN PART

2 POS.



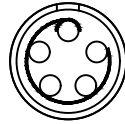
3 POS.



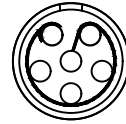
4 POS.



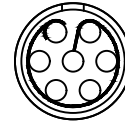
5 POS.



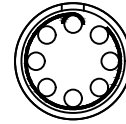
6 POS.



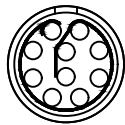
7 POS.



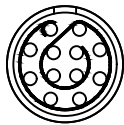
8 POS.



10 POS.



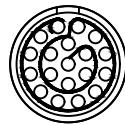
12 POS.



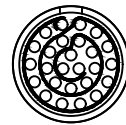
16 POS.



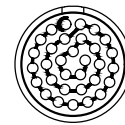
19 POS.



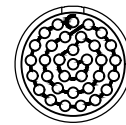
26 POS.



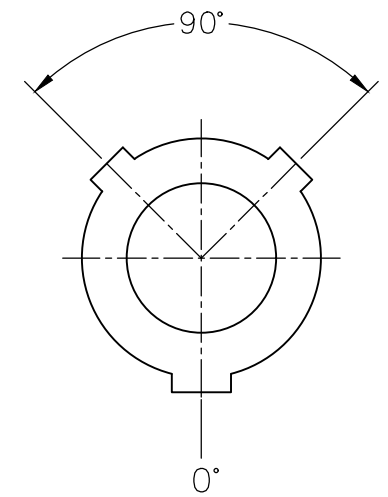
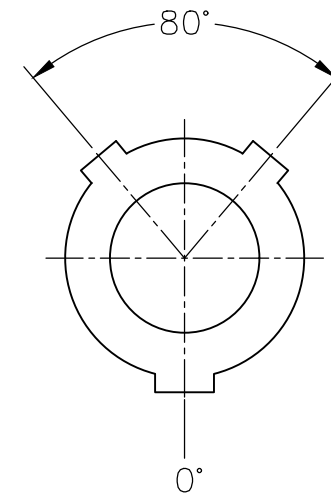
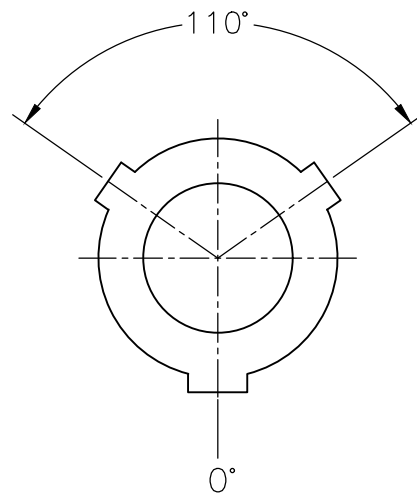
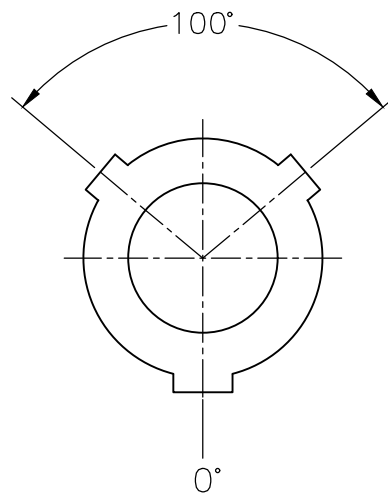
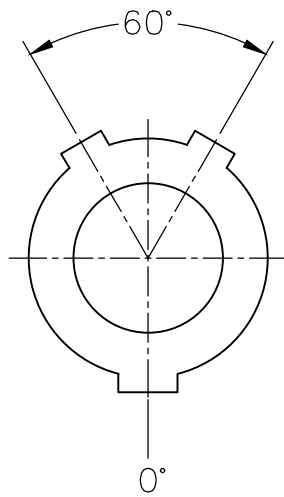
32 POS.



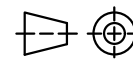
34 POS.



KEYING (PLUG FRONT VIEW)



THIRD ANGLE PROJECTION



TOLERANCES UNLESS OTHERWISE SPECIFIED

UNITS ■ mm □ INCH

ANGLES 0 PLC ± 3  
1 PLC ± 2

0 PLC ± 1.00  
1 PLC ± 0.50  
2 PLC ± 0.25  
3 PLC ±  
4 PLC ±



Dongguan Circon Technology Co.,Ltd.

TITLE:  
2P CIRCULAR CONNECTOR STRAIGHT PLUGS  
Nut=For fitting a bend relief type-IP50

APPROVED BY JACK DATE 2020-2-18

CHECKED BY CHARLES DATE 2020-2-18

DRAWN BY ANDY DATE 2020-2-18

DRAWING NO. A-M-116 REV. A0

PART NO. 2PXM1XXXXXXBXX

SIZE: A3 SCALE: 1:1 SHEET: 2 OF 2

REV.	REVISION DESCRIPTION	ECR/ECN NO.	DATE