

2P CIRCULAR ASSEMBLY P/N DESCRIPTION :

2P X M1 X X XX X X A X X
 ① ② ③ ④ ⑤ ⑥ ⑦ ⑧

① Type

- A=Shell:PSU Grey
- B=Shell:PSU Black
- C=Shell:PEI Grey
- D=Shell:PEI Black
- E=Shell:PPSU Grey
- F=Shell:PPSU Black
- 1=Shell:ABS Grey
- 2=Shell:ABS Black

② Insert

- P=PEEK
- S=PPS

③ Plating

- 2=High Gold
- A=Gold flash

④ Number of contacts

- 02=2Pin
- ⋮
- 34=34Pin

⑤ Keying

- B=0°+60° H=0°+80°
- C=0°+100° J=0°+90°
- D=0°+110°

⑥ Cable collet

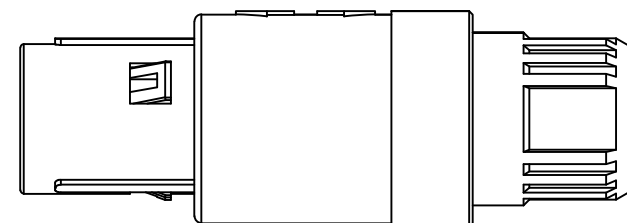
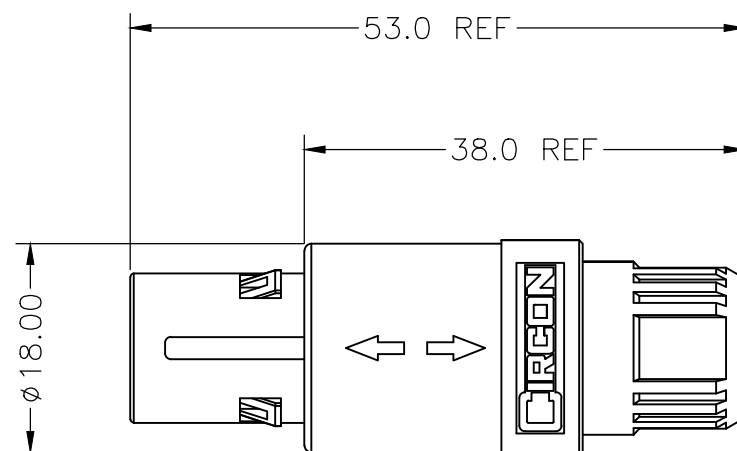
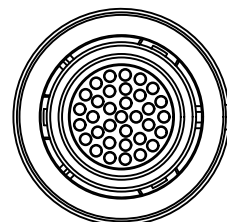
- 5= ∅5.2mm (Cable∅=3.2~5.2mm)
- 7= ∅7.2mm (Cable∅=5.3~7.2mm)
- 9= ∅9.2mm (Cable∅=7.3~9.2mm)

⑦ Nut Colour

- 0= Black 2= Red 5= Green 8= Grey
- 1= White 4= Yellow 6= Blue

⑧ Logo

- 0= No Logo A= No Logo&With Ink mark
- 1= With Logo B= With Logo&With Ink mark



NOTE:

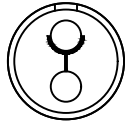
1. MATERIAL:
 - 1.1.SHELL: THERMOPLASTIC,UL94V-0
 - 1.2.INSERT: THERMOPLASTIC,UL94V-0
 - 1.3.CENTER CONTACT : COPPER ALLOY,Au PLATING
- 2.NUMBER OF CONTACT : 2 TO 34 POSITION
- 3.RoHS DIRECTIVE COMPLIANCE

| | | | | | | | | | | | | | | |
|----------------------------|--|--|--|---|--|-----------|---|----------|-------------|------------|----------------|---------------|------|--|
| THIRD ANGLE PROJECTION | | TOLERANCES UNLESS OTHERWISE SPECIFIED | | Dongguan Circon Technology Co.,Ltd. | | | | | | | | | | |
| UNITS ■ mm □ INCH | | 0 PLC ± 1.00 1 PLC ± 0.50 2 PLC ± 0.25 3 PLC ± 4 PLC ± | | | | | TITLE: 2P CIRCULAR CONNECTOR STRAIGHT PLUGS Nut=Standard type | | | | | | | |
| APPROVED BY | | JACK | | DATE | | 2020-2-18 | | C | DRAWING NO. | | A-M-115 | | REV. | |
| CHECKED BY | | CHARLES | | DATE | | 2020-2-18 | | | PART NO. | | 2PXM1XXXXXXAXX | | A0 | |
| DRAWN BY | | ANDY | | DATE | | 2020-2-18 | | SIZE: A3 | | SCALE: 1:1 | | SHEET: 1 OF 2 | | |

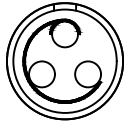
| REV. | REVISION DESCRIPTION | ECR/ECN NO. | DATE |
|------|----------------------|-------------|------|
|------|----------------------|-------------|------|

VIEW FROM TERMINATION SIDE PIN PART

2 POS.



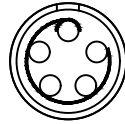
3 POS.



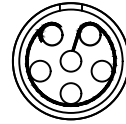
4 POS.



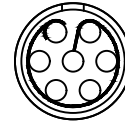
5 POS.



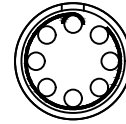
6 POS.



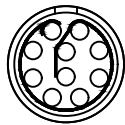
7 POS.



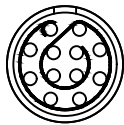
8 POS.



10 POS.



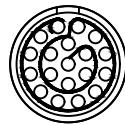
12 POS.



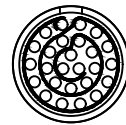
16 POS.



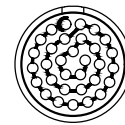
19 POS.



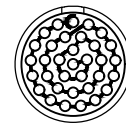
26 POS.



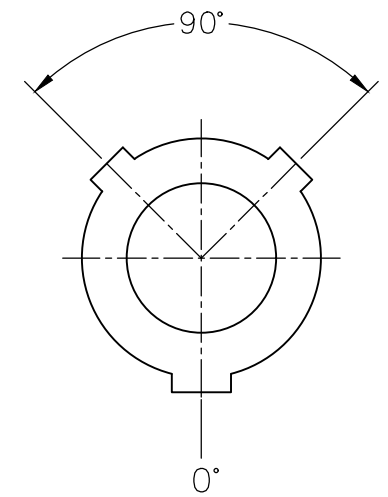
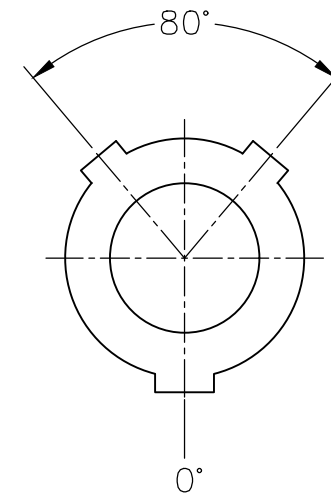
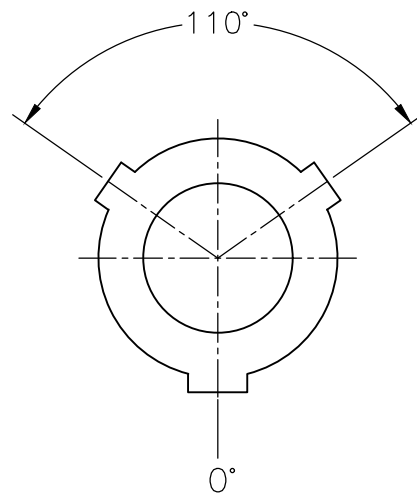
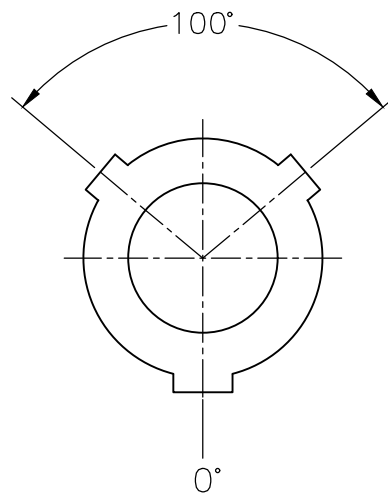
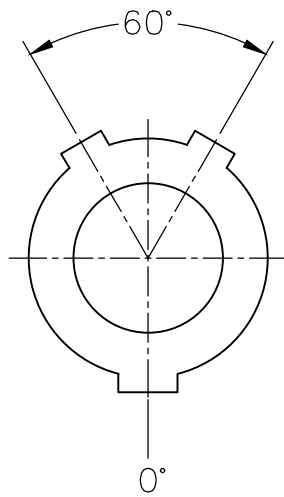
32 POS.



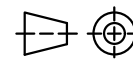
34 POS.



KEYING (PLUG FRONT VIEW)



THIRD ANGLE PROJECTION



TOLERANCES UNLESS OTHERWISE SPECIFIED

UNITS ■ mm □ INCH

ANGLES 0 PLC ± 3
1 PLC ± 2

0 PLC ± 1.00
1 PLC ± 0.50
2 PLC ± 0.25
3 PLC ±
4 PLC ±



Dongguan Circon Technology Co.,Ltd.

TITLE:
2P CIRCULAR CONNECTOR STRAIGHT PLUGS
Nut=Standard type

| | | | |
|-------------|---------|------|-----------|
| APPROVED BY | JACK | DATE | 2020-2-18 |
| CHECKED BY | CHARLES | DATE | 2020-2-18 |

| | | | |
|---|-------------|----------------|------|
| C | DRAWING NO. | A-M-115 | REV. |
| | PART NO. | 2PXM1XXXXXXAXX | A0 |

| | | | | | | | |
|------|----------------------|-------------|------|----------|------|------|-----------|
| REV. | REVISION DESCRIPTION | ECR/ECN NO. | DATE | DRAWN BY | ANDY | DATE | 2020-2-18 |
|------|----------------------|-------------|------|----------|------|------|-----------|

SIZE: A3 SCALE: 1:1 SHEET: 2 OF 2