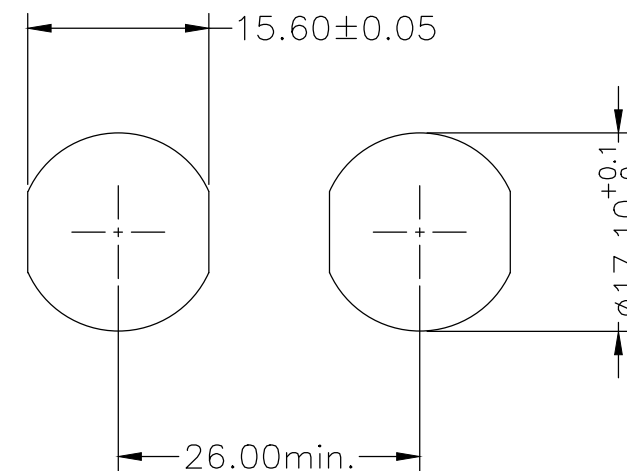
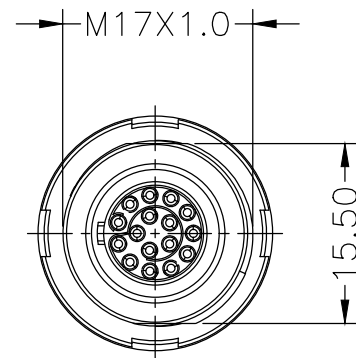
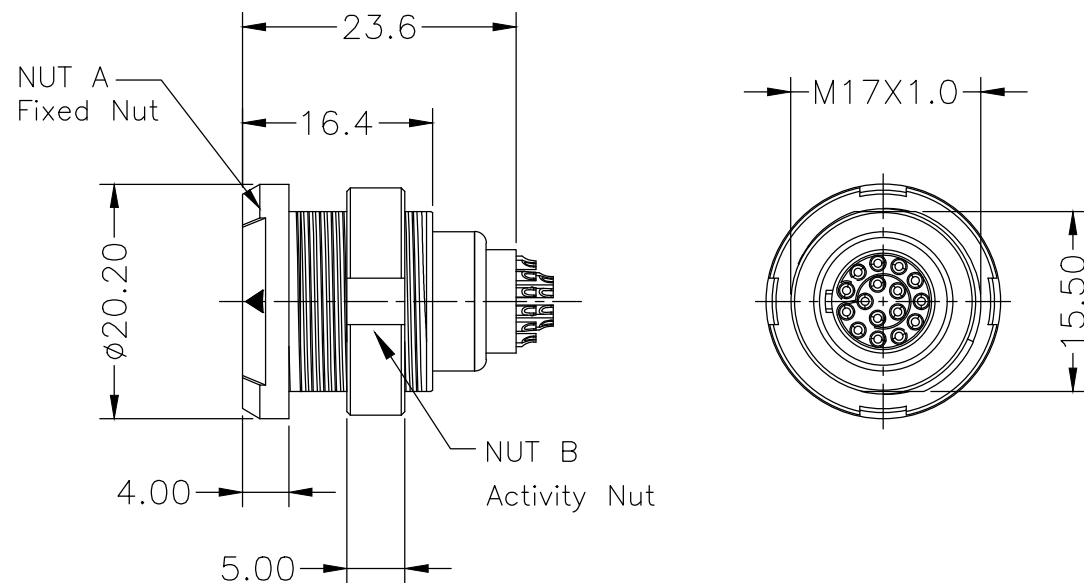


2P CIRCULAR ASSEMBLY P/N DESCRIPTION :

2P X F2 X X XX X 0 D X X
 ① ② ③ ④ ⑤ ⑥ ⑦

- ① Type
 A=Shell:PSU Grey
 B=Shell:PSU Black
 C=Shell:PEI Grey
 D=Shell:PEI Black
 E=Shell:PPSU Grey
 F=Shell:PPSU Black
 1=Shell:ABS Grey
 2=Shell:ABS Black
- ② Insert
 P=PEEK
 S=PPS
- ③ Plating
 2=High Gold
 A=Gold flash
- ④ Number of contacts
 02=2Pin

 34=14Pin
- ⑤ Keying
 B=0°+60° H= 0°+80°
 C=0°+100° J= 0°+90°
 D=0°+110°
- ⑥ Nut Colour
 0= Black 2= Red 5= Green 8= Grey
 1= White 4= Yellow 6= Blue
- ⑦ Logo
 0= No Logo A= No Logo&With Ink mark
 1= With Logo B= With Logo&With Ink mark



PANEL HOLE

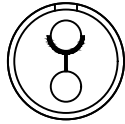
NOTE:

- 1. MATERIAL:
 - 1.1.SHELL: THERMOPLASTIC,UL94V-0
 - 1.2.INSERT: THERMOPLASTIC,UL94V-0
 - 1.3.CENTER CONTACT : COPPER ALLOY, Au PLATING
 - 1.4.NUT A : THERMOPLASTIC,UL94V-0
 - 1.5.NUT B : THERMOPLASTIC,UL94V-0
- 2.NUMBER OF CONTACT : 2 TO 34 POSITION
- 3.RoHS DIRECTIVE COMPLIANCE

THIRD ANGLE PROJECTION 		TOLERANCES UNLESS OTHERWISE SPECIFIED		 Dongguan Circon Technology Co.,Ltd.						
UNITS ■ mm □ INCH		0 PLC ± 1.00 1 PLC ± 0.50 2 PLC ± 0.25 3 PLC ± 4 PLC ±					TITLE: 2P CIRCULAR CONNECTOR FIXED SOCKETS			
ANGLES 0 PLC ± 3 1 PLC ± 2		APPROVED BY	JACK	DATE	2020-2-25	C	DRAWING NO.	A-M-118	REV.	A0
		CHECKED BY	CHARLES	DATE	2020-2-25		PART NO.	2PXF2XXXXX0DXX		
REV.	REVISION DESCRIPTION	ECR/ECN NO.	DATE	DRAWN BY	ANDY	DATE	2020-2-25	SIZE: A3	SCALE: 1:1	SHEET: 1 OF 2

VIEW FROM TERMINATION SIDE PIN PART

2 POS.



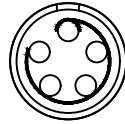
3 POS.



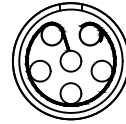
4 POS.



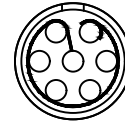
5 POS.



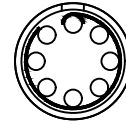
6 POS.



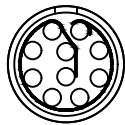
7 POS.



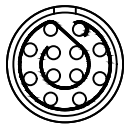
8 POS.



10 POS.



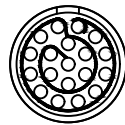
12 POS.



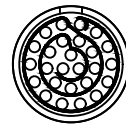
16 POS.



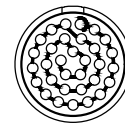
19 POS.



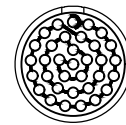
26 POS.



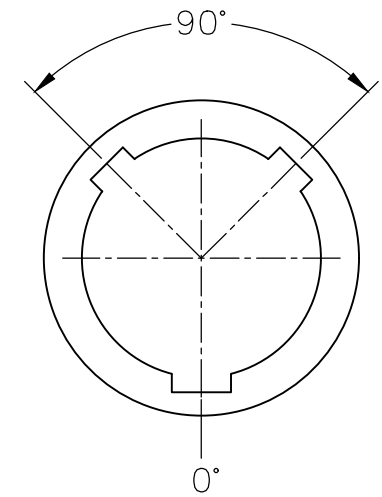
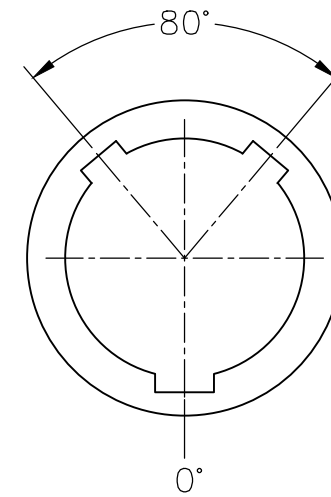
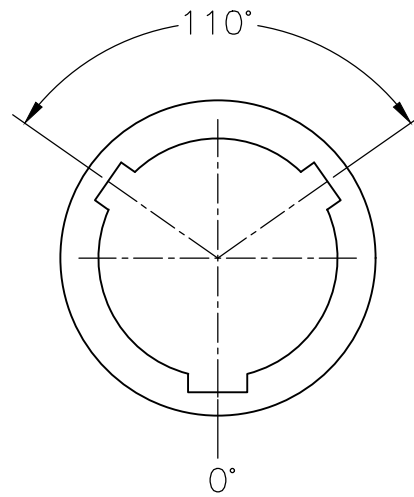
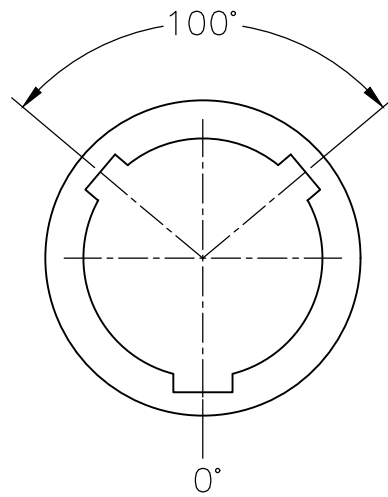
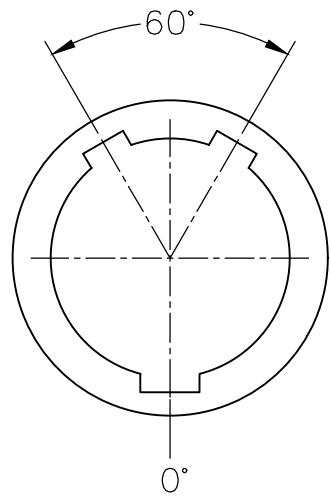
32 POS.



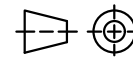
34 POS.



KEYING (PLUG FRONT VIEW)



THIRD ANGLE PROJECTION



TOLERANCES UNLESS OTHERWISE SPECIFIED

UNITS ■ mm □ INCH

ANGLES 0 PLC ± 3
1 PLC ± 2

0 PLC ± 1.00
1 PLC ± 0.50
2 PLC ± 0.25
3 PLC ±
4 PLC ±



Dongguan Circon Technology Co.,Ltd.

TITLE: 2P CIRCULAR CONNECTOR
FIXED SOCKETS

APPROVED BY JACK DATE 2020-2-25

CHECKED BY CHARLES DATE 2020-2-25

DRAWN BY ANDY DATE 2020-2-25

DRAWING NO. A-M-118 REV. A0

PART NO. 2PXF2XXXXX0DXX

REV.	REVISION DESCRIPTION	ECR/ECN NO.	DATE

SIZE: A3 SCALE: 1:1 SHEET: 2 OF 2