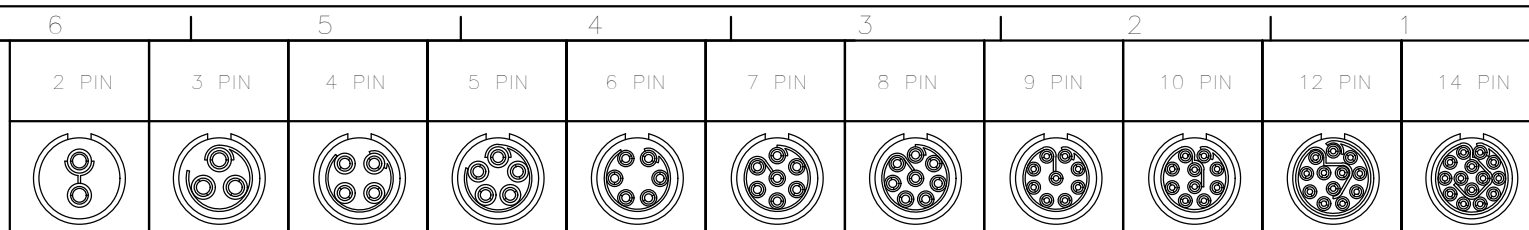
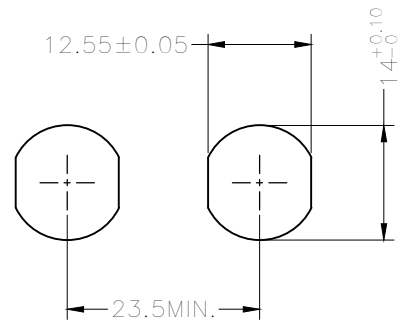
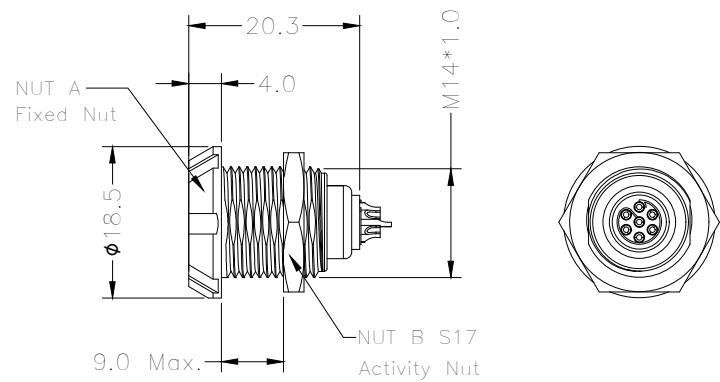


1H CIRCULAR ASSEMBLY P/N DESCRIPTION :

1H A F2 X X XX X 03A0  
 ① ② ③ ④



- ① Insert  
P=PEEK  
S=PPS
- ② Plating  
2=High Gold  
A=Gold flash
- ③ Number of contacts  
02=2Pin  
...  
14=14Pin
- ④ Keying  
G= 0° (2-14Pin)    H=170° (8,10&14Pin)  
A= 40° (2-14Pin)    J=205° (8,10&14Pin)  
B= 60° (2-14Pin)  
C= 80° (2-14Pin)



PANEL HOLE

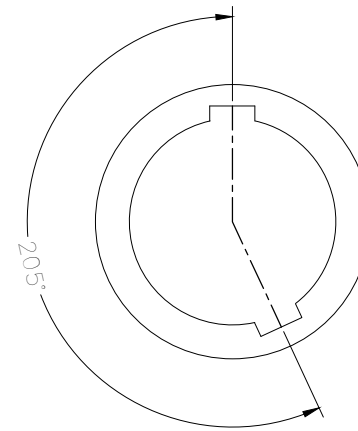
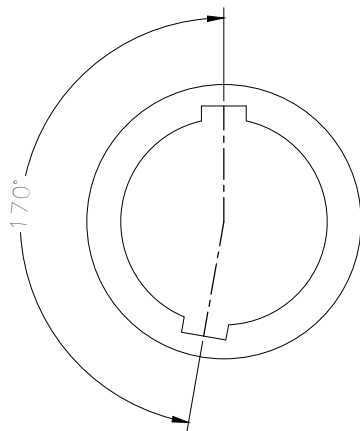
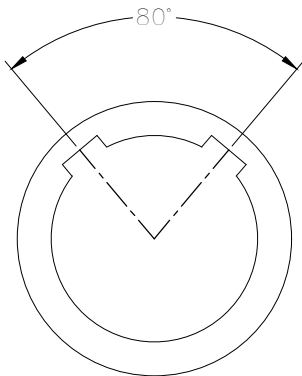
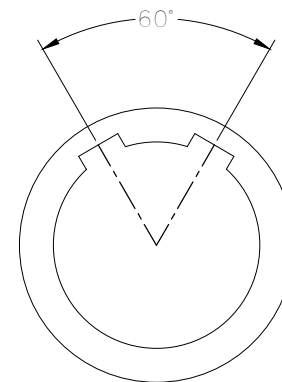
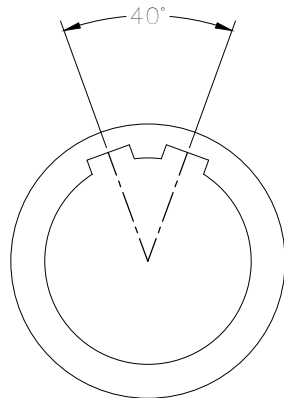
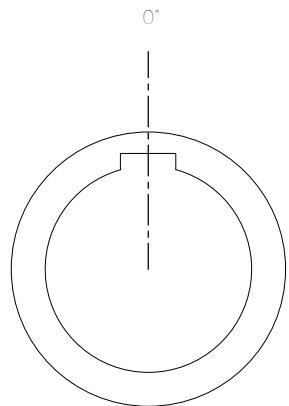
NOTE:

1. MATERIAL:
  - 1.1.OUTER SHELL: COPPER ALLOY, Cr PLATING
  - 1.2.NUT A: COPPER ALLOY, Cr PLATING
  - 1.3.NUT B: COPPER ALLOY, Ni PLATING
  - 1.4.INSERT: THERMOPLASTIC,UL94V-0
  - 1.5.CENTER CONTACT : COPPER ALLOY,Au PLATING
- 2.NUMBER OF CONTACT : 2 TO 14 POSITION
- 3.RoHS DIRECTIVE COMPLIANCE

THIRD ANGLE PROJECTION 		TOLERANCES UNLESS OTHERWISE SPECIFIED		 Dongguan Circon Technology Co.,Ltd.	
UNITS    ■ mm    □ INCH		0 PLC ± 1.00 1 PLC ± 0.50 2 PLC ± 0.25 3 PLC ± 4 PLC ±			
ANGLES    0 PLC ± 3 1 PLC ± 2		APPROVED BY    JACK    DATE    2019-4-18 CHECKED BY    CHARLES    DATE    2019-4-18		TITLE: 1H CIRCULAR CONNECTOR FIXED SOCKETS Nut A Material: Metal	
APPROVED BY    ANDY    DATE    2019-4-18		DRAWING NO.    A-M-072    REV.    A0 PART NO.    1HAF1XXXXX03A0		SIZE: A3    SCALE: 1:1    SHEET: 1 OF 2	

REV.	REVISION DESCRIPTION	ECR/ECN NO.	DATE

KEYING (RECEPTACLE FRONT VIEW):



THIRD ANGLE PROJECTION



UNITS ■ mm □ INCH

ANGLES 0 PLC ± 3  
1 PLC ± 2

TOLERANCES UNLESS OTHERWISE SPECIFIED

0 PLC ± 1.00  
1 PLC ± 0.50  
2 PLC ± 0.25  
3 PLC ±  
4 PLC ±



Dongguan Circon Technology Co.,Ltd.

TITLE:  
1H CIRCULAR CONNECTOR FIXED SOCKETS  
Nut A Material: Metal

APPROVED BY	JACK	DATE	2019-4-18
CHECKED BY	CHARLES	DATE	2019-4-18

C	DRAWING NO.	A-M-072	REV.
	PART NO.	1HAF1XXXXX03A0	A0

REV.	REVISION DESCRIPTION	ECR/ECN NO.	DATE	DRAWN BY	ANDY	DATE	2019-4-18	SIZE: A3	SCALE: 1:1	SHEET: 2 OF 2
------	----------------------	-------------	------	----------	------	------	-----------	----------	------------	---------------