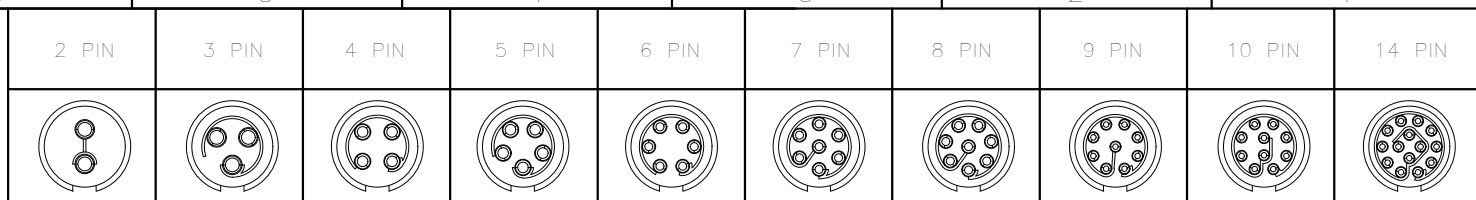


1H CIRCULAR ASSEMBLY P/N DESCRIPTION :

1H X M1 X X XX X X B X 0
 ① ② ③ ④ ⑤ ⑥ ⑦



① Shell:
 E=Outer shell:Aluminium alloy
 Inner shell:Thermoplastic,greys
 F=Outer shell:Aluminium alloy
 Inner shell:Thermoplastic,black

② Insert
 P=PEEK
 S=PPS

③ Contact Plating
 2=High Gold
 A=Gold flash

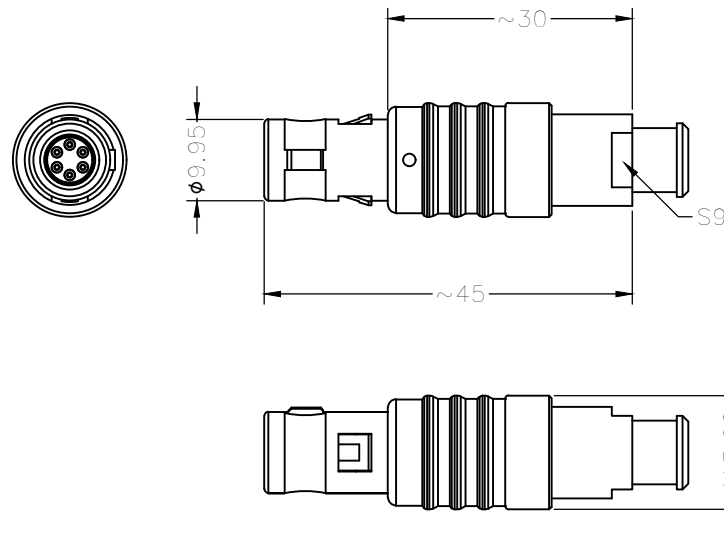
④ Number of contacts
 02=2Pin

 14=14Pin

⑤ Keying
 G= 0° (2-14Pin) H= 170° (8,10&14Pin)
 A= 40° (2-14Pin) J= 205° (8,10&14Pin)
 B= 60° (2-14Pin)
 C= 80° (2-14Pin)

⑥ Cable collet
 3=φ3.9mm (Cableφ=2.7~3.9mm)
 5=φ5.2mm (Cableφ=4.0~5.2mm)
 6=φ6.5mm (Cableφ=5.3~6.5mm)

⑦ Shell&Nut Colour
 0= Black
 2= Red
 4= Golden
 5= Green
 6= Blue

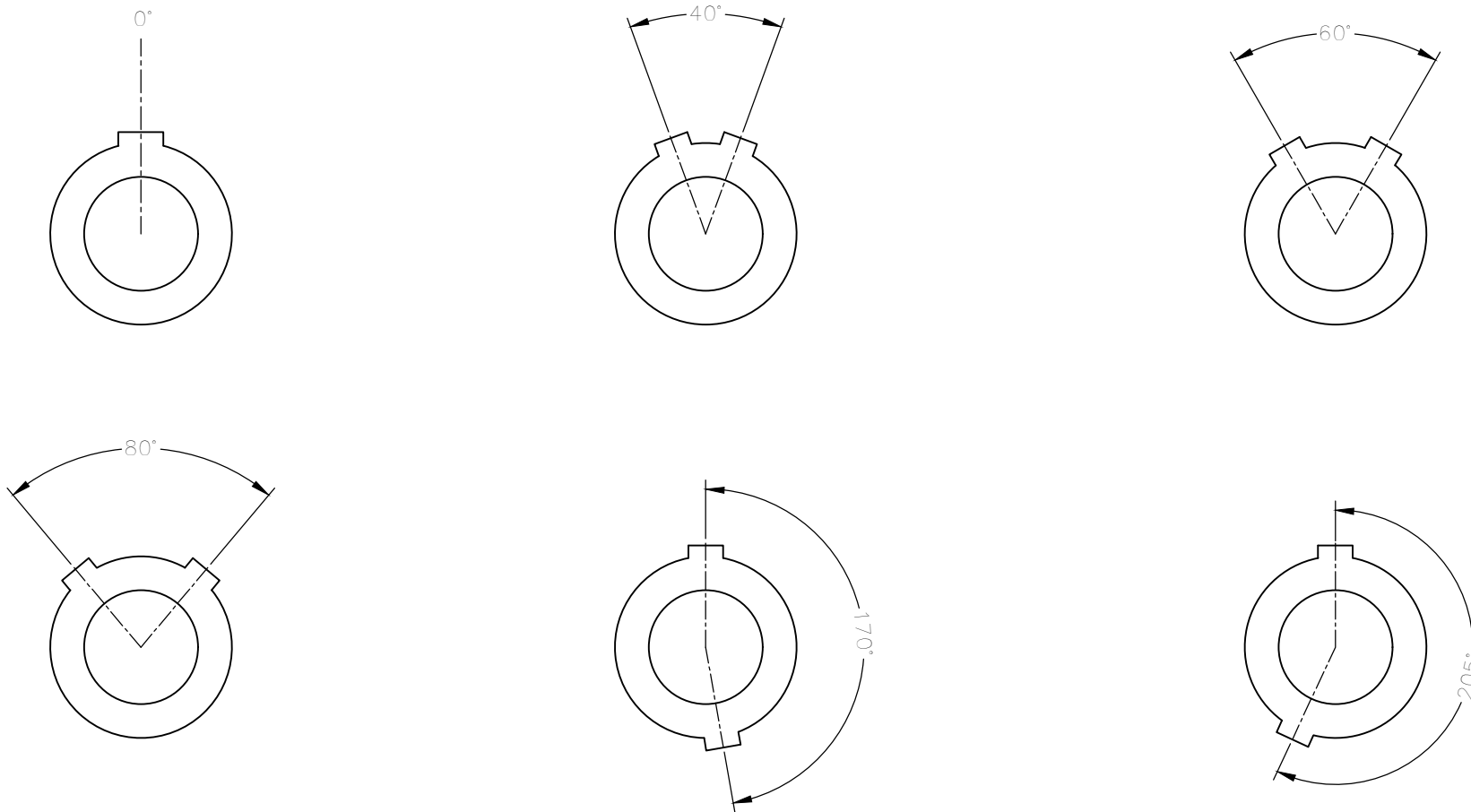


NOTE:

1. MATERIAL:
 - 1.1.OUTER SHELL: ALUMINIUM ALLOY, ANODIC OXIDATION
 - 1.2.INNER SHELL: THERMOPLASTIC,UL94V-0
 - 1.3.NUT: ALUMINIUM ALLOY, ANODIC OXIDATION
 - 1.4.CABLE COLLET: THERMOPLASTIC,UL94V-0
 - 1.5.INSERT: THERMOPLASTIC,UL94V-0
 - 1.6.CENTER CONTACT : COPPER ALLOY,Au PLATING
- 2.NUMBER OF CONTACT : 2 TO 14 POSITION
- 3.RoHS DIRECTIVE COMPLIANCE

THIRD ANGLE PROJECTION 		TOLERANCES UNLESS OTHERWISE SPECIFIED		 Dongguan Circon Technology Co.,Ltd.	
UNITS ■ mm □ INCH		0 PLC ± 1.00 1 PLC ± 0.50 2 PLC ± 0.25 3 PLC ± 4 PLC ±			
ANGLES 0 PLC ± 3 1 PLC ± 2		APPROVED BY JACK DATE 2019-4-18 CHECKED BY CHARLES DATE 2019-4-18		TITLE: 1H CIRCULAR CONNECTOR STRAIGHT PLUGS SHELL MATERIAL:ALUMINIUM ALLOY	DRAWING NO. A-M-078 REV. A0
REV. REVISION DESCRIPTION ECR/ECN NO. DATE DRAWN BY ANDY DATE 2019-4-18		PART NO. 1HXM1XXXXXXBX0	SIZE: A3 SCALE: 1:1 SHEET: 1 OF 2		

KEYING (PLUG FRONT VIEW):



THIRD ANGLE PROJECTION 		TOLERANCES UNLESS OTHERWISE SPECIFIED		 Dongguan Circon Technology Co.,Ltd.				
UNITS <input checked="" type="checkbox"/> mm <input type="checkbox"/> INCH		0 PLC ± 1.00 1 PLC ± 0.50 2 PLC ± 0.25 3 PLC ± 4 PLC ±				TITLE: 1H CIRCULAR CONNECTOR STRAIGHT PLUGS SHELL MATERIAL:ALUMINIUM ALLOY		
ANGLES 0 PLC ± 3 1 PLC ± 2		APPROVED BY	JACK	DATE	2019-4-18	C DRAWING NO. A-M-078 PART NO. 1HXM1XXXXXXBX0	REV.	A0
		CHECKED BY	CHARLES	DATE	2019-4-18		SIZE: A3	SCALE: 1:1
REV.	REVISION DESCRIPTION	ECR/ECN NO.	DATE	DRAWN BY	ANDY	DATE	2019-4-18	