

2P CIRCULAR ASSEMBLY P/N DESCRIPTION :

2P X F3 X X XX X 0 D X X
 ① ② ③ ④ ⑤ ⑥ ⑦

- ① Type
 A=Shell:PSU Grey
 B=Shell:PSU Black
 C=Shell:PEI Grey
 D=Shell:PEI Black
 E=Shell:PPSU Grey
 F=Shell:PPSU Black
 1=Shell:ABS Grey
 2=Shell:ABS Black

- ② Insert
 P=PEEK
 S=PPS
 T=PPS—Unmarked

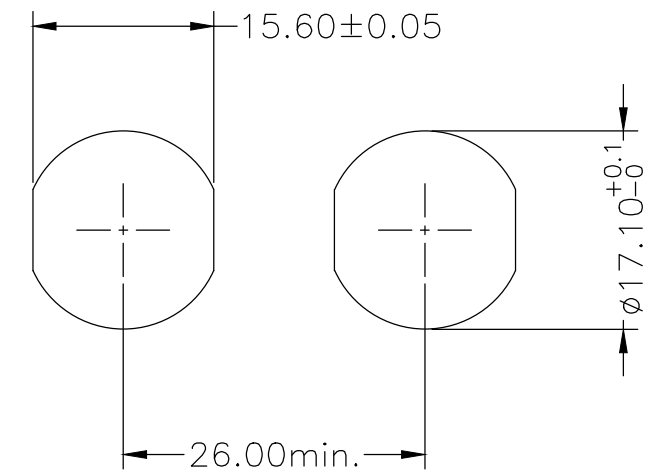
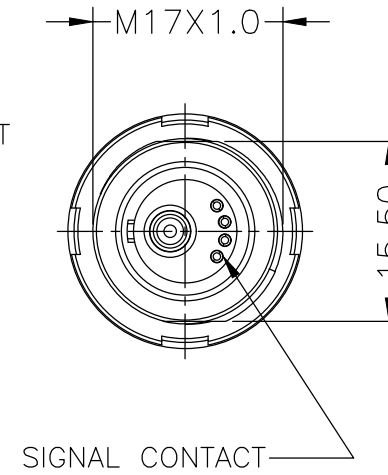
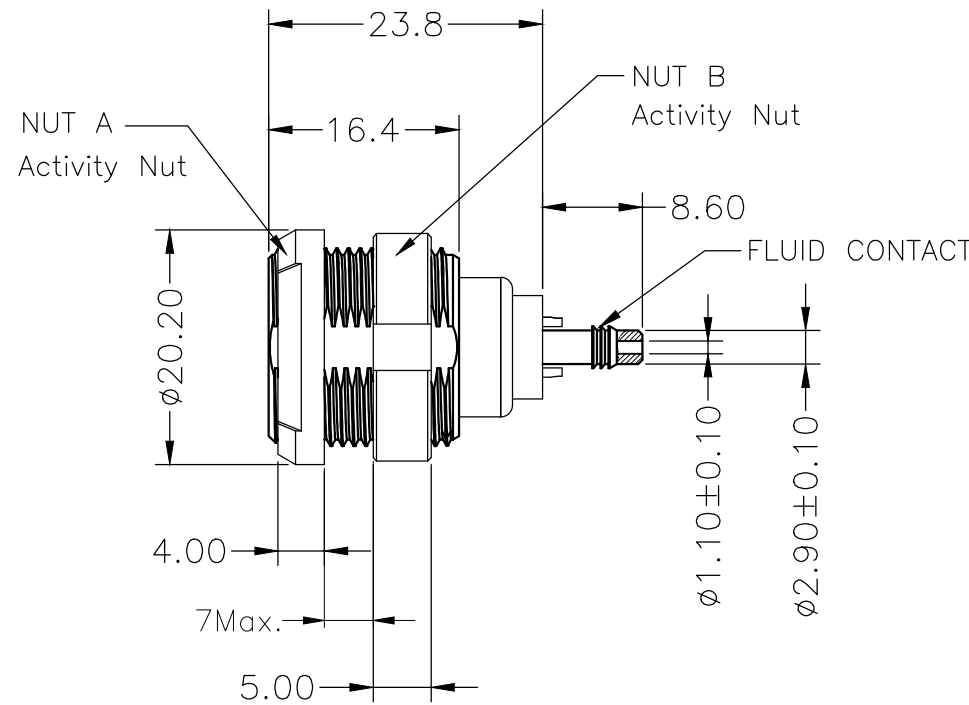
- ③ Plating
 2=High Gold
 A=Gold flash

- ④ Number of contacts
 A4=4Pin Signal contact+1Pin Fluid contact
 A6=6Pin Signal contact+1Pin Fluid contact
 A8=8Pin Signal contact+1Pin Fluid contact
 A1=10Pin Signal contact+1Pin Fluid contact

- ⑤ Keying
 B=0°+60° H= 0°+80°
 C=0°+100° J= 0°+90°
 D=0°+110°

- ⑥ Nut Colour
 0= Black 2= Red 5= Green 8= Grey
 1= White 4= Yellow 6= Blue

- ⑦ Logo
 0= No Logo A= No Logo&With Ink mark
 1= With Logo B= With Logo&With Ink mark



PANEL HOLE

NOTE:

1. MATERIAL:
 - 1.1.SHELL: THERMOPLASTIC,UL94V-0
 - 1.2.INSERT: THERMOPLASTIC,UL94V-0
 - 1.3.SIGNAL CONTACT : COPPER ALLOY, Au PLATING
 - 1.4.FLUID CONTACT : COPPER ALLOY,Ni PLATING
 - 1.5.NUT A : THERMOPLASTIC,UL94V-0
 - 1.6.NUT B : THERMOPLASTIC,UL94V-0
- 2.RoHS DIRECTIVE COMPLIANCE

THIRD ANGLE PROJECTION 	TOLERANCES UNLESS OTHERWISE SPECIFIED
UNITS <input checked="" type="checkbox"/> mm <input type="checkbox"/> INCH	0 PLC ± 1.00 1 PLC ± 0.50 2 PLC ± 0.25 3 PLC ± 4 PLC ±
ANGLES 0 PLC ± 3 1 PLC ± 2	

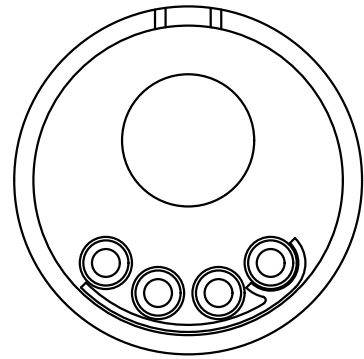
APPROVED BY	JACK	DATE	2020-9-5
CHECKED BY	CHARLES	DATE	2020-9-5
DRAWN BY	ANDY	DATE	2020-9-5

CIRCON [®]			
Dongguan Circon Technology Co.,Ltd.			
TITLE: 2P CIRCULAR CONNECTOR FIXED SOCKETS WITH FLUID CONTACT			
C	DRAWING NO.	A-M-121	REV.
	PART NO.	2PXF3XXXXX0DXX	A1
SIZE: A3	SCALE: 1:1	SHEET: 1 OF 2	

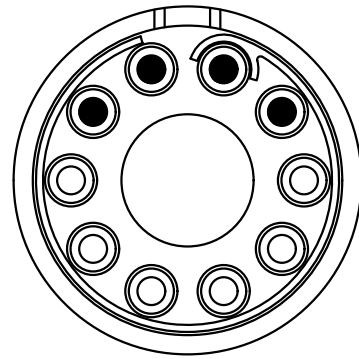
REV.	REVISION DESCRIPTION	ECR/ECN NO.	DATE
------	----------------------	-------------	------

VIEW FROM TERMINATION SIDE PIN PART

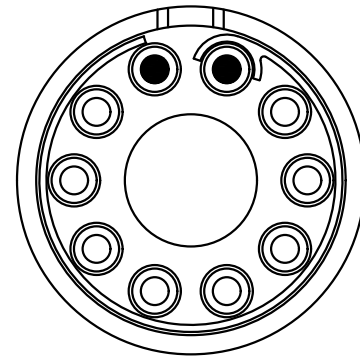
4+1 POS.



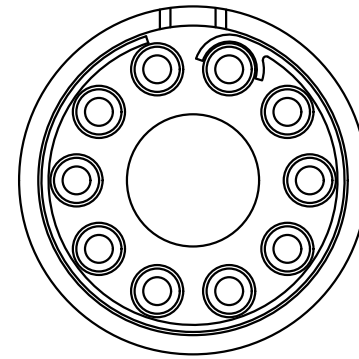
6+1 POS.



8+1 POS.

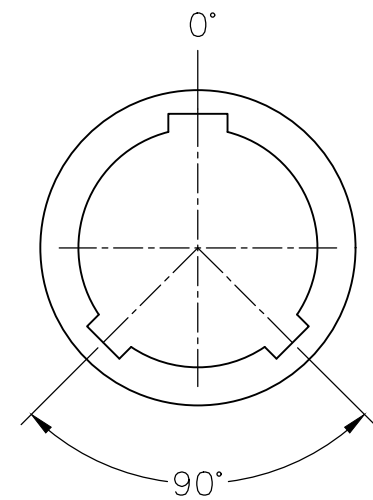
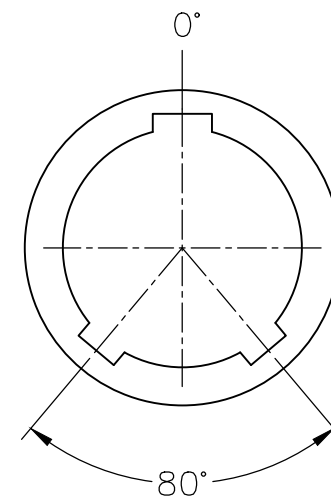
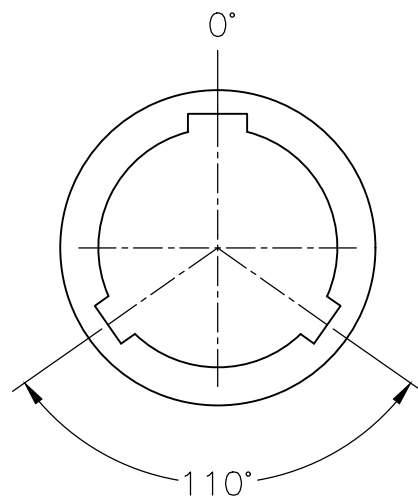
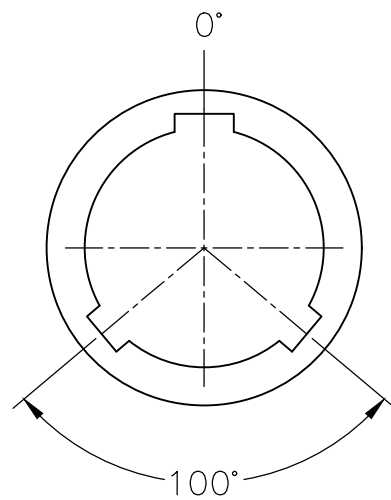
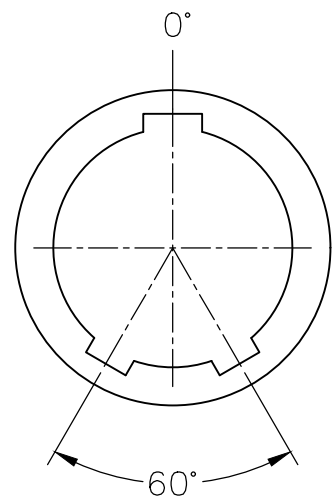


10+1 POS.



● =NO CONTACTS

KEYING ANGLES (RECEPTACLE FRONT VIEW):



THIRD ANGLE PROJECTION 		TOLERANCES UNLESS OTHERWISE SPECIFIED		 Dongguan Circon Technology Co.,Ltd.		
UNITS ■ mm □ INCH		0 PLC ± 1.00 1 PLC ± 0.50 2 PLC ± 0.25 3 PLC ± 4 PLC ±				
ANGLES 0 PLC ± 3 1 PLC ± 2		APPROVED BY JACK DATE 2020-9-5 CHECKED BY CHARLES DATE 2020-9-5		TITLE: 2P CIRCULAR CONNECTOR FIXED SOCKETS WITH FLUID CONTACT		
DRAWN BY ANDY DATE 2020-9-5		C DRAWING NO. A-M-121 PART NO. 2PXF3XXXXX0DXX		REV. A1		
REV.	REVISION DESCRIPTION	ECR/ECN NO.	DATE	SIZE: A3	SCALE: 1:1	SHEET: 2 OF 2