

2P CIRCULAR ASSEMBLY P/N DESCRIPTION :

2P X M2 X X XX X X A X X
 ① ② ③ ④ ⑤ ⑥ ⑦ ⑧

① Type

- A=Shell:PSU Grey
- B=Shell:PSU Black
- C=Shell:PEI Grey
- D=Shell:PEI Black
- E=Shell:PPSU Grey
- F=Shell:PPSU Black
- 1=Shell:ABS Grey
- 2=Shell:ABS Black

② Insert

- P=PEEK
- S=PPS
- T=PPS-Unmarked

③ Plating

- 2=High Gold
- A=Gold flash

④ Number of contacts

- A4=4Pin Signal contact+1Pin Fluid contact
- A6=6Pin Signal contact+1Pin Fluid contact
- A8=8Pin Signal contact+1Pin Fluid contact
- A1=10Pin Signal contact+1Pin Fluid contact

⑤ Keying

- B=0°+60° H= 0°+80°
- C=0°+100° J= 0°+90°
- D=0°+110°

⑥ Cable collet

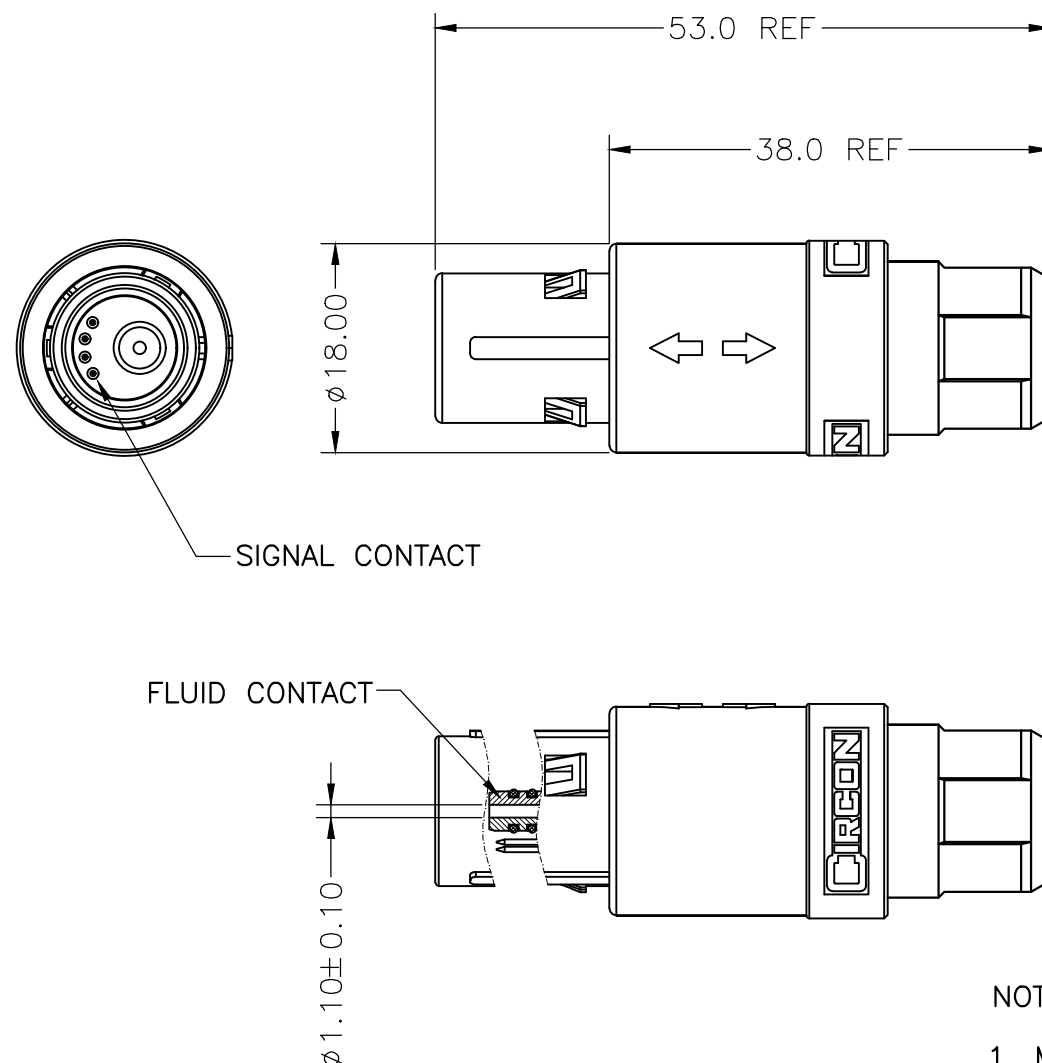
- 5= ϕ 5.2mm (Cable ϕ =3.2~5.2mm)
- 7= ϕ 7.2mm (Cable ϕ =5.3~7.2mm)
- 9= ϕ 9.2mm (Cable ϕ =7.3~9.2mm)

⑦ Nut Colour

- 0= Black 2= Red 5= Green 8= Grey
- 1= White 4= Yellow 6= Blue

⑧ Logo

- 0= No Logo A= No Logo&With Ink mark
- 1= With Logo B= With Logo&With Ink mark



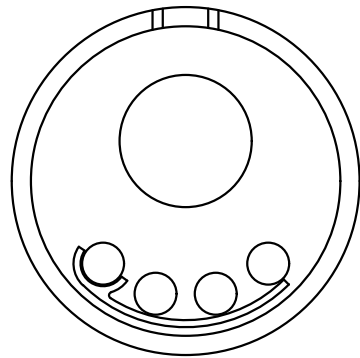
NOTE:

1. MATERIAL:
 - 1.1.SHELL: THERMOPLASTIC,UL94V-0
 - 1.2.INSERT: THERMOPLASTIC,UL94V-0
 - 1.3.SIGNAL CONTACT : COPPER ALLOY, Au PLATING
 - 1.4.FLUID CONTACT : COPPER ALLOY,Ni PLATING
 - 1.5.CABLE COLLET : HIGH TEMPERATURE PLASTIC,UL94V-0
 - 1.6.BACK NUT : HIGH TEMPERATURE PLASTIC,UL94V-0
 - 1.7.O-RING : ELASTOMER
- 2.RoHS DIRECTIVE COMPLIANCE

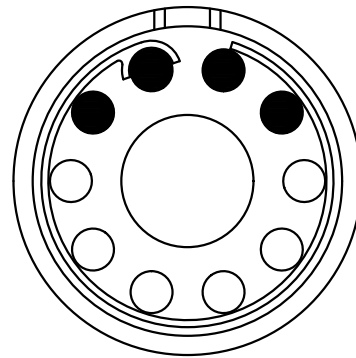
THIRD ANGLE PROJECTION 		TOLERANCES UNLESS OTHERWISE SPECIFIED		 Dongguan Circon Technology Co.,Ltd.						
UNITS ■ mm □ INCH		0 PLC ± 1.00 1 PLC ± 0.50 2 PLC ± 0.25 3 PLC ± 4 PLC ±					TITLE: 2P CIRCULAR CONNECTOR STRAIGHT PLUGS WITH FLUID CONTACT Nut=Standard type			
ANGLES 0 PLC ± 3 1 PLC ± 2		APPROVED BY	JACK	DATE	2020-9-5	C	DRAWING NO.	A-M-120	REV.	A1
		CHECKED BY	CHARLES	DATE	2020-9-5		PART NO.	2PXM2XXXXXXAXX		
REV.	REVISION DESCRIPTION	ECR/ECN NO.	DATE	DRAWN BY	ANDY	DATE	2020-9-5	SIZE: A3	SCALE: 1:1	SHEET: 1 OF 2

VIEW FROM TERMINATION SIDE PIN PART

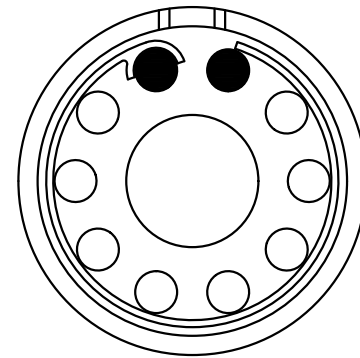
4+1 POS.



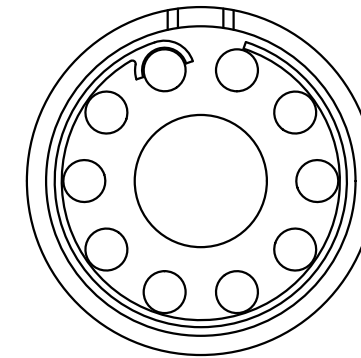
6+1 POS.



8+1 POS.

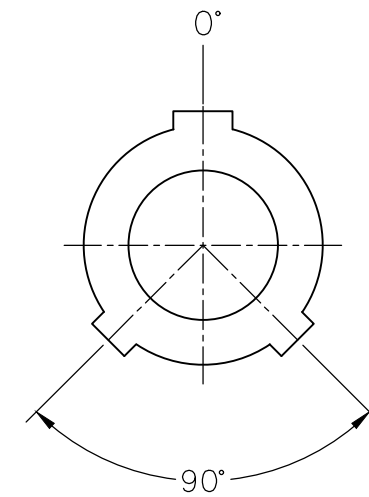
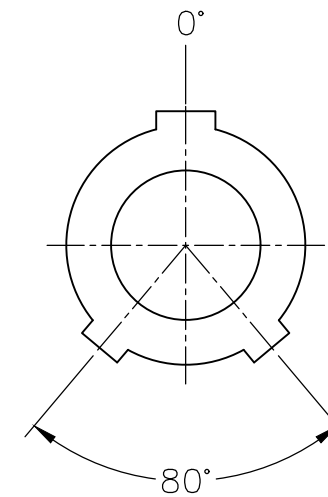
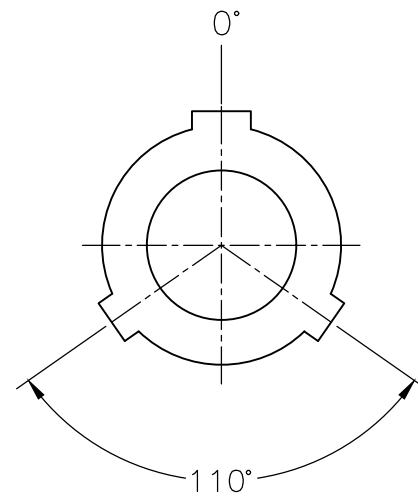
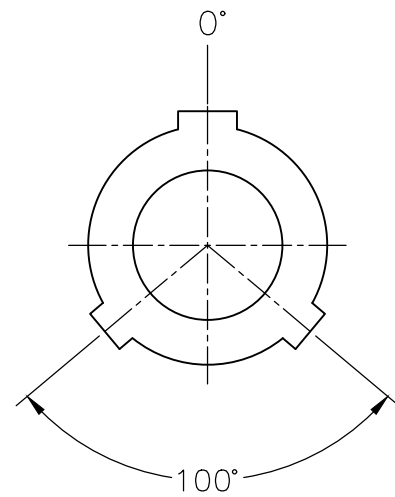
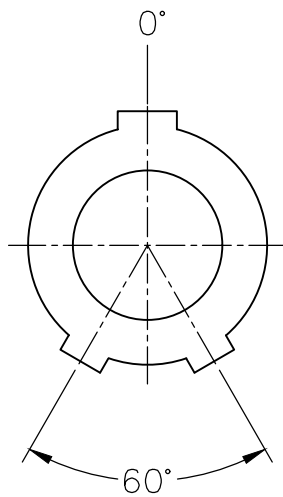


10+1 POS.



● =NO CONTACTS

KEYING (PLUG FRONT VIEW)



THIRD ANGLE PROJECTION 		TOLERANCES UNLESS OTHERWISE SPECIFIED		 Dongguan Circon Technology Co.,Ltd.											
UNITS ■ mm □ INCH		0 PLC ± 1.00 1 PLC ± 0.50 2 PLC ± 0.25 3 PLC ± 4 PLC ±													
ANGLES 0 PLC ± 3 1 PLC ± 2		APPROVED BY JACK DATE 2020-9-5 CHECKED BY CHARLES DATE 2020-9-5 DRAWN BY ANDY DATE 2020-9-5		TITLE: 2P CIRCULAR CONNECTOR STRAIGHT PLUGS WITH FLUID CONTACT Nut=Standard type											
REV.		REVISION DESCRIPTION		ECR/ECN NO.		DATE		DRAWN BY		DATE		C DRAWING NO. A-M-120 PART NO. 2PXM2XXXXXXAXX		REV. A1	
8		7		6		5		4		3		2		1	
8		7		6		5		4		3		2		1	